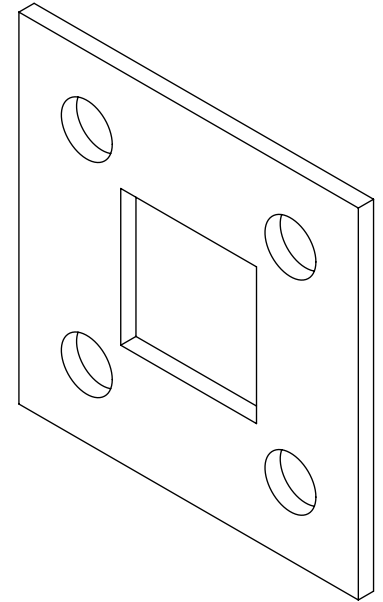
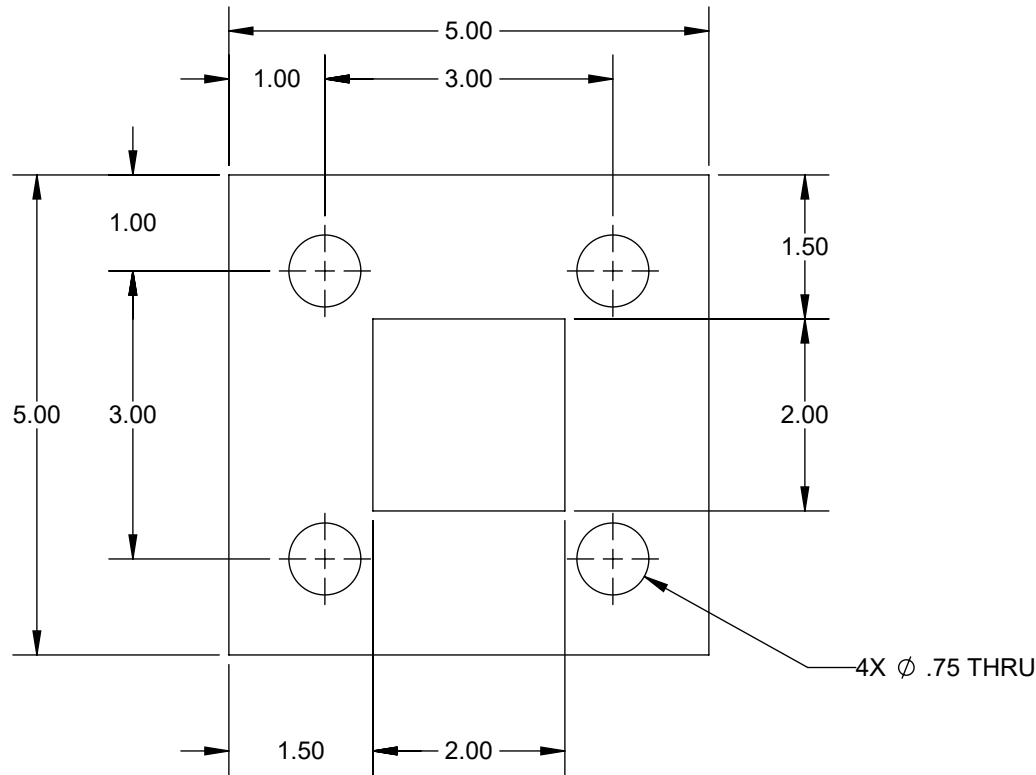


NOTES:

1. REMOVE ALL BURRS AND SHARP EDGES.

REVISION			
REV	DESCRIPTION	DATE	APPROVED
A	INITIAL RELEASE	8/29/2017	JW



UNLESS OTHERWISE SPECIFIED:		NAME	DATE
DIMENSIONS ARE IN INCHES TOLERANCES: FRACTIONAL $\pm 1/16$ ANGULAR: MACH $\pm 1^\circ$ BEND $\pm 3^\circ$ .XX $\pm .03$ .XXX $\pm .010$	DRAWN	JW	8/29/2017
	CHECKED	CB	8/29/2017
	ENGINEERING	JW	8/29/2017
	Q.A.	-	
DIMENSIONS AND TOLERANCES PER ASME Y14.5M-2004	<b>PROPRIETARY AND CONFIDENTIAL</b>		
MATERIAL MILD STEEL, 6 MM	THE INFORMATION CONTAINED IN THIS DRAWING IS THE SOLE PROPERTY OF SECURITY BRANDS, INC. AND/OR ITS SUBSIDIARIES. REPRODUCTION IN PART OR IN WHOLE WITHOUT THE WRITTEN PERMISSION OF SECURITY BRANDS, INC. IS PROHIBITED.		
FINISH PRE-GALVANIZED			
DO NOT SCALE DRAWING			



**SECURITY BRANDS INC**

PO BOX 743996 DALLAS, TX 75374 (USA) (214) 710-3664

TITLE  
**BASE PLATE - PEDESTAL**

SIZE <b>A</b>	DWG. NO. -	REV <b>A</b>
SCALE: 1:2		SHEET 1 OF 1