



# ELECTROMAGNETIC GATE LOCK INSTALLATION INSTRUCTIONS

SECURITY BRANDS INC

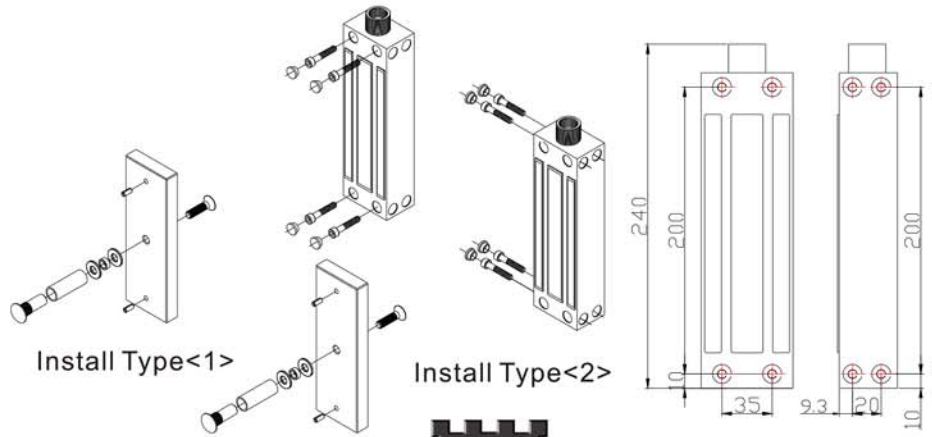
## ❖ Model: S-1200MAG

Stronghold 1200 pound

Water Proof Outdoor Mag Lock

## ❖ Feature:

- Threaded conduit fitting
- Stainless Steel Case
- Built-in lock status sensor
- Suitable for outdoor
- Water Proof



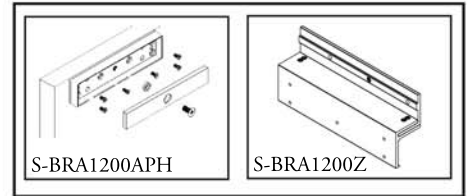
## ❖ Specifications:

	S-1200MAG	Note
Power supply	DC-12VDC / DC-24V	Switchable
Operation current	460mA/12VDC 220mA/24VDC	
Lock Status sensor	N.C. Output (0.25A/30VDC)	Read Switch
Holding force	1200IBS(544kg)	
Operation temperature	-10 °C ~ 70 °C	
Warranty	2 year	
Weight	12.2 lbs / 4.9 kg	
Sealing protection	IP67	
Body Dimensions	240 L X 63.5 W X 43 D (mm)	
Armatures Dimension	185 L X 61 W X 16 D (mm)	
Casing	Stainless Steel	

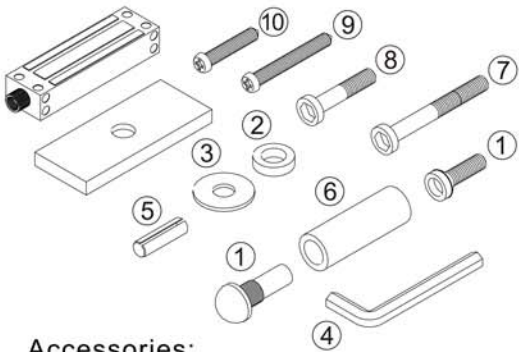


Please read before installing  
Specific mounting brackets may be necessary to fit different types of gate.

Optional accessories



## Accessories diagram:



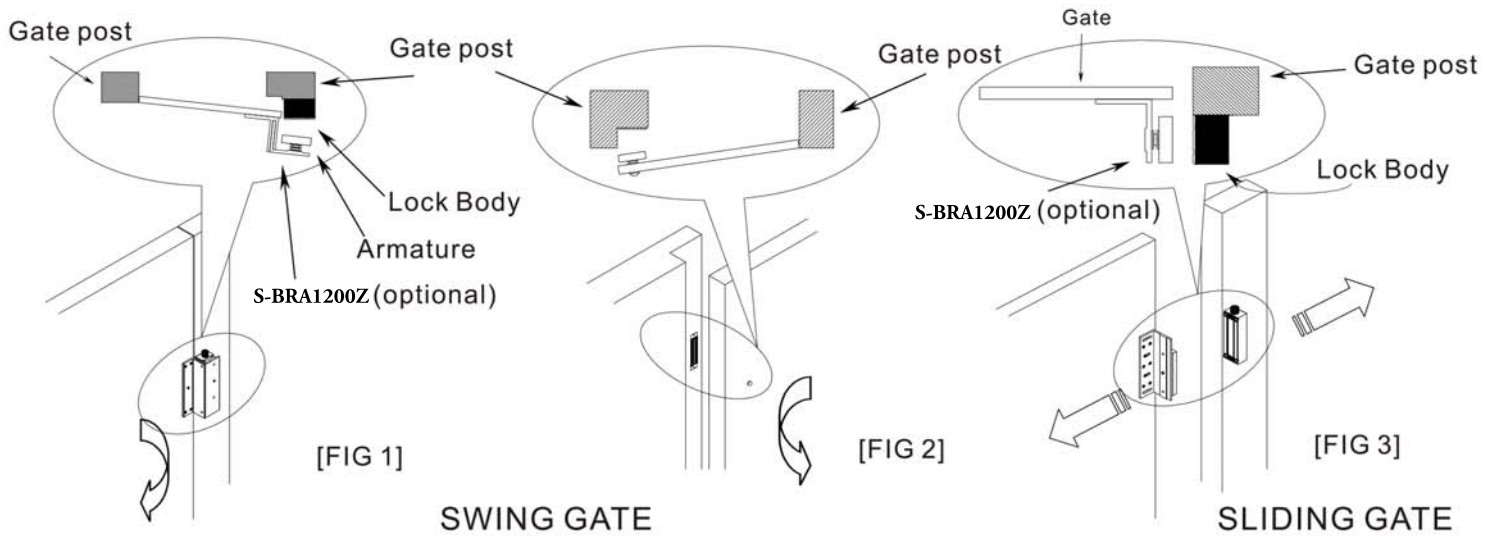
Accessories:

Type	Model	Type	S-1200MAG	
Quantity				
1	Sexnut Bolt	1		
2	Rubber Washer	2		
3	Washer	2		
4	Allenkey	1		
5	Guide pins	2		
6	Door spacer	1		
7	Mounting screw	4	6x60mm	
8	Mounting screw	4	6x40mm	
9	Mounting screw	4	6x60mm	
10	Mounting screw	4	6x50mm	

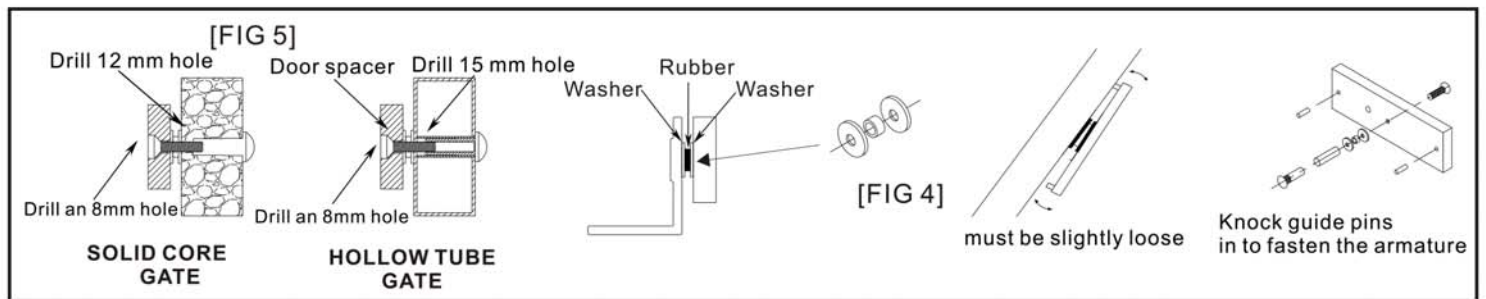
## ❖ Installation

- Determine the type of gate (Reference Fig 1, Fig 2 & Fig 3)  
Please make sure type of gate to ensure the type of brackets required to install.
- Prepare the gate post for mounting the gate lock and armature  
Determine the desired location for mounting the gate lock and armature on the gate post. Make sure there is space for wiring.
- Mount the lock body
- Mount the armature  
If you are mounting the armature directly to the gate. You can refer to fig5 for drilling the armature mounting screw hole.
- Verify proper alignment  
Close the gate and verify the lock face and armature are making full contact of the entire armature length. Adjustments may be needed.
- Connect the wires  
Refer to Connection Diagram and Monitor Output for wiring.
- Test the unit.
- Insert the tamper caps into the mounting screw access holes of the lock body.  
This should be the last step of the installation, as once the tamper caps are in place, it is difficult to remove.

## ✳️ Installation diagram



## ✳️ Armature installations



## ✳️ Connection Diagram and Monitor Output

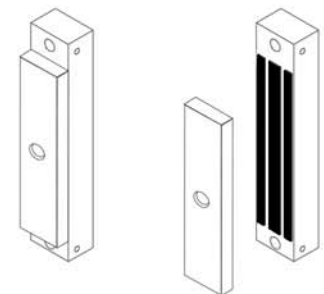
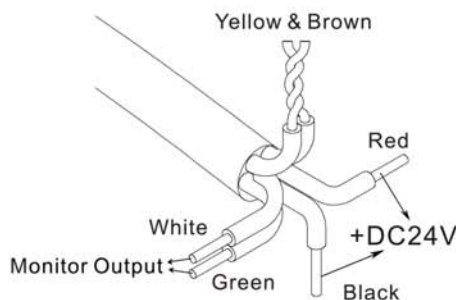
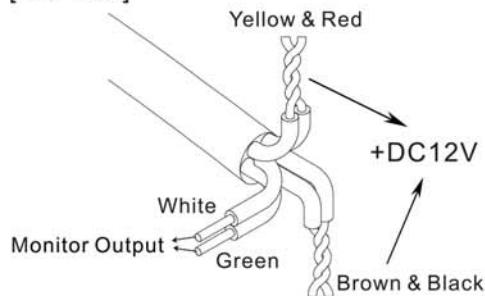
## ✳️ Monitor Output

[DC-12V]

[DC-24V]

[N.C. Status]

[N.O. Status]



\*Monitor output, contact rating (0.25A/30VDC)

\*When magnetic lock and armature are engaged, the monitor output will change to N.C. status.

Problem:	Possible cause:	Solutions:
Door does not lock	No power	<ul style="list-style-type: none"> <li>Check the input voltage at the EM-lock. If the voltage is zero or a low reading, double check all wire connections.</li> </ul>
	Incorrect wiring	<ul style="list-style-type: none"> <li>Refer to Connection Diagram and monitor output.</li> </ul>
Low holding force	Lock body and armature plate did not contact properly.	<ul style="list-style-type: none"> <li>Make sure the lock body and armature plate are properly aligned.</li> <li>Make sure the contact surfaces of the lock body and armature plate are clean and free from rust.</li> </ul>
	Incorrect voltage setting	<ul style="list-style-type: none"> <li>Check the power adapter with a meter, and make sure the wiring is connected correctly (DC12V/24V).</li> </ul>
	AC voltage supply	<ul style="list-style-type: none"> <li>EM-lock requires DC input voltage. When an AC transformer is used, a bridge rectifier must be installed to convert the AC output of the transformer to DC output.</li> </ul>