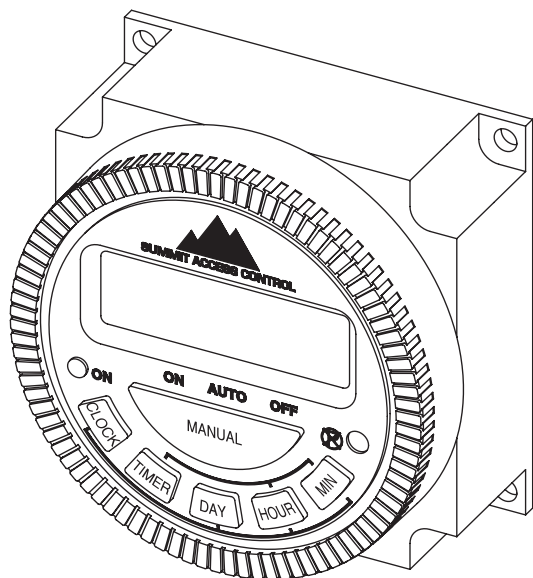




# 7-DAY TIMER INSTRUCTIONS



1	MO	TU	WE	TH	FR	SA	SU
2	MO	TU	WE	TH	FR	SA	
3	MO	TU	WE	TH	FR		
4						SA	SU
5	MO	TU	WE		FR		
6		TU		TH		SA	
7	MO		WE				
8				TH	FR	SA	
9	MO						
10		TU					
11			WE				
12				TH			
13					FR		
14						SA	
15							SU

## GENERAL INFO

7-day timers are available in the following models:

- S-T12** 12-Volt DC Digital Timer
- S-T24** 24-Volt AC/DC Digital Timer
- S-T110** 110-Volt AC Digital Timer

Input voltage depends on the model. Please verify the model you have before proceeding. The model number can be found on the rear of the timer housing.

These timers allow storage of up to 17 on/off events per day as well as 15 different daily program schedules to allow for maximum flexibility (see **Figure 1**).

**NOTE: Program options shown on timer display are ordered as shown in Figure 1 but are not numbered.**

All timers come equipped with a form "C" relay capable of 16 A @ 30 VDC.

All timers feature an internal battery for backup power in the event of a power outage.

## Two-Year Limited Warranty

Visit [securitybrandsinc.com/warranty](http://securitybrandsinc.com/warranty) for details

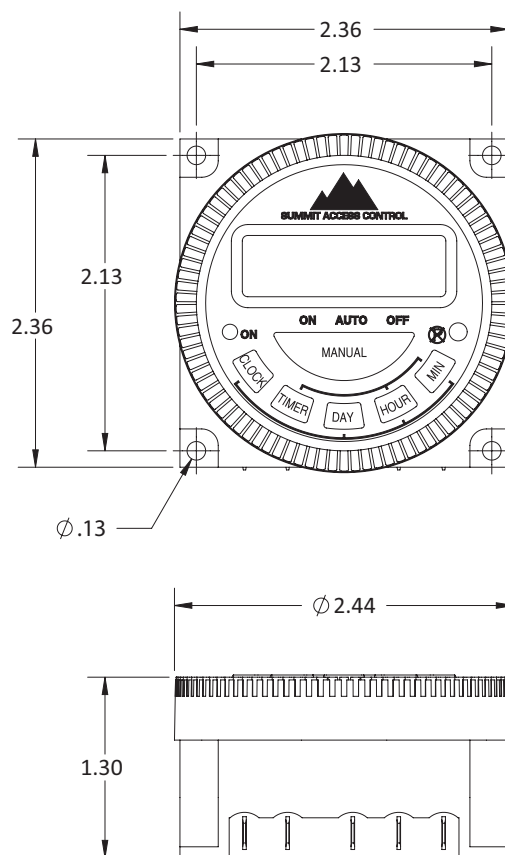


NEED  
HELP

call  
**(800) 541-5677**  
or email  
[techsupport@securitybrandsinc.com](mailto:techsupport@securitybrandsinc.com)

**Figure 1: Daily Program Schedules**

DIMENSIONS IN INCHES



**Figure 2: Timer Dimensions**



# 7-DAY TIMER INSTRUCTIONS

## BUTTONS/INDICATORS

**CLOCK:** to adjust day and time; must be pressed and held to allow use of the day and time buttons

**TIMER:** to set up and review programmed events

**DAY:** to adjust day of week

**HOUR:** to adjust hour

**MIN:** to adjust minutes

**MANUAL:** to select between **ON/AUTO/OFF** modes (active mode indicated by bar on LCD)

### Modes:

**ON:** relay is active

**AUTO:** timer will follow user-specified programs

**OFF:** relay inactive; no programs will be followed

**ON:** relay indicator (LED on when relay is active and off when inactive)

⊗: resets timer settings

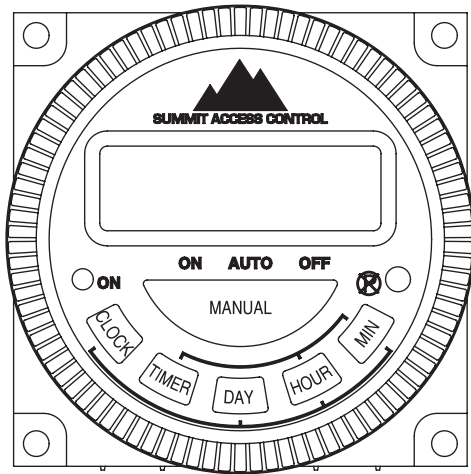


Figure 3: Front Panel

## TIMER OPERATION

### SETTING TIME AND DATE

Press and hold **CLOCK**, then use the **DAY**, **HOUR**, and **MIN** buttons to set time and date.

### PROGRAMMING EVENT 1

1. Press **TIMER**. [1 ON --:--] will appear on LCD screen unless a time is already stored in memory.
2. Press **DAY** until desired daily program schedule is displayed on LCD screen (See **Figure 1**).
3. Press **HOUR** and **MIN** to set desired ON time.
4. Press **TIMER** button again. [1 OFF --:--] will appear on LCD Screen unless a time is already stored in memory.
5. Set desired OFF time as before.

### PROGRAMMING EVENTS 2-17

Repeat steps listed for programming event 1.

## EXITING PROGRAMMING MODE

Once all events are programmed, press **CLOCK** to exit programming mode.

## ACTIVATING TIMER FOR AUTOMATIC USE

Press **MANUAL** button until indicator bar on LCD screen is displayed above **AUTO**.

## REVIEW PROGRAMMED EVENTS

Press **TIMER** button to see the first event programmed. Repeat to review each event.

**NOTE: If an ON time is set, a corresponding OFF time must also be set.**

**NOTE: Timer will exit programming mode automatically after 20 seconds of inactivity.**

## WIRE CONNECTIONS

**NOTE: Use 1/4" female spade connectors for your wire connections.**

1 = Power Positive + (S-T12 = 12 VDC, S-T24 = 24 VAC/DC, S-T110 = 110 VAC hot)

2 = Power Negative - (S-T12 = 12 VDC, S-T24 = 24 VAC/DC, S-T110 = 110 VAC neutral)

3 = Timer Relay NC (Normally Closed)

4 = Timer Relay NO (Normally Open)

5 = Timer Relay COM (Common)

Refer to **Figure 4**.

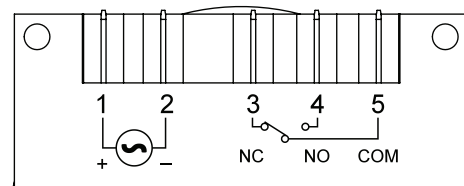


Figure 4: Wire Connections (rear of unit)



**SECURITY BRANDS INC**™

your *partner* in access control

securitybrandsinc.com