

**! IMPORTANT!**

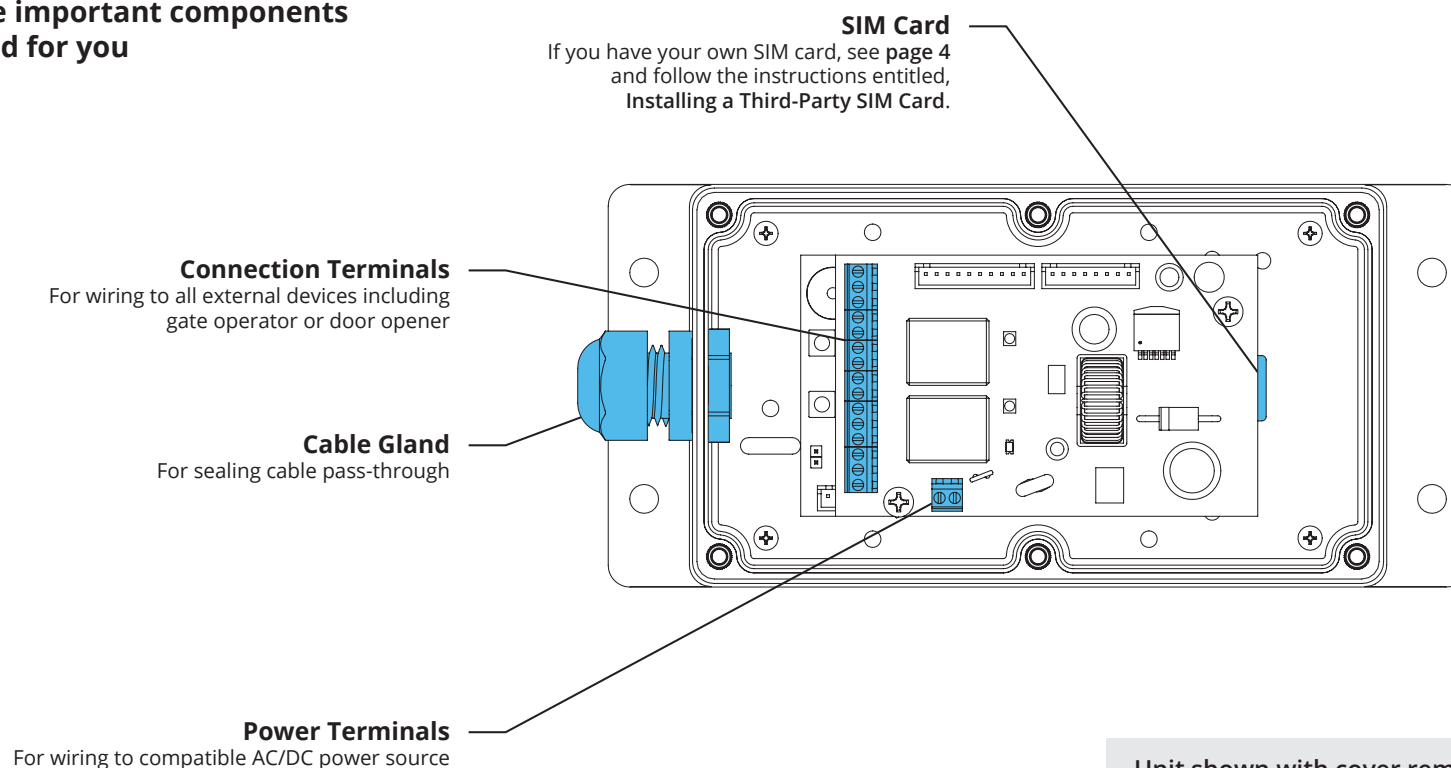
We recommend mounting Ascent C1 inside the gate operator or other weatherproof enclosure when possible.

If mounting inside a metal enclosure, the **Ascent 10' Cable Extension (p/n 16-X-EXT)** is required. Follow the instructions included with the cable extension before moving on. **Failure to do so may result in no signal!**

Continued on next page...

## What's what?

All the important components labeled for you



Unit shown with cover removed. Internal wiring not shown for clarity.

**! IMPORTANT!**

Ascent **WILL NOT WORK** until the activation process is **COMPLETE!**

Follow the **Activation Guide** or call **Summit Control at (844) 259-8265** to activate your unit.

**! WARNING!**

**AUTOMATIC GATES CAN CAUSE SERIOUS INJURY OR DEATH!**

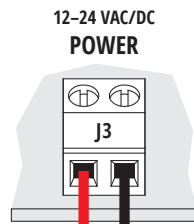
**ALWAYS CHECK** that the **GATE PATH IS CLEAR BEFORE OPERATING!**

Reversing or other safety devices should **ALWAYS BE USED!**

### 3 Connect wires

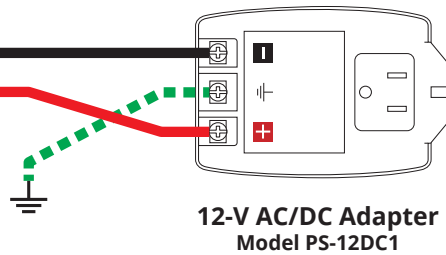
Feed wires through back of unit and connect as shown.

Ascent Power Terminals



Third-Party 12-24-VAC/DC Power Source

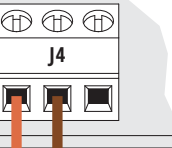
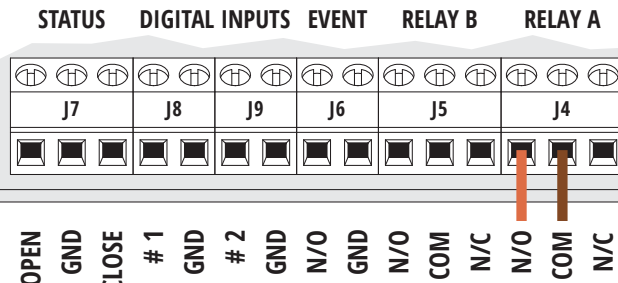
OR



12-V AC/DC Adapter Model PS-12DC1  
The GROUND terminal is optional unless required by local code(s). If using, please connect to earth ground or equivalent.

Additional wiring diagrams can be found on [Page 3](#).

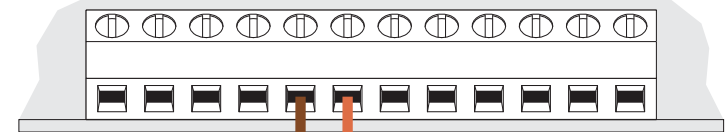
### Ascent Connection Terminals



Relay B can be wired to a second device in the same manner.

### Gate Operator / Door Opener

12-24 VAC/DC POWER



POS. (+)  
NEG. (-)  
COM  
RADIO  
COM  
FREE EXIT  
COM  
REVERSE LOOP  
COM  
OPEN  
STOP  
CLOSE

**CAUTION!**

If you will not be using the 12-V AC/DC adapter, please go to [Page 4](#) and follow the procedure, **Using a Third-Party Power Source**.

**Do not exceed 24 VAC/DC! Failure to choose a compatible power source can damage unit!**

**STOP!**

Before going forward, double check wiring and ensure unit has power!

For additional wiring options, see [Page 3](#).

**4** Tighten cable-gland locknut.

**5** Replace and secure front cover with included screws.

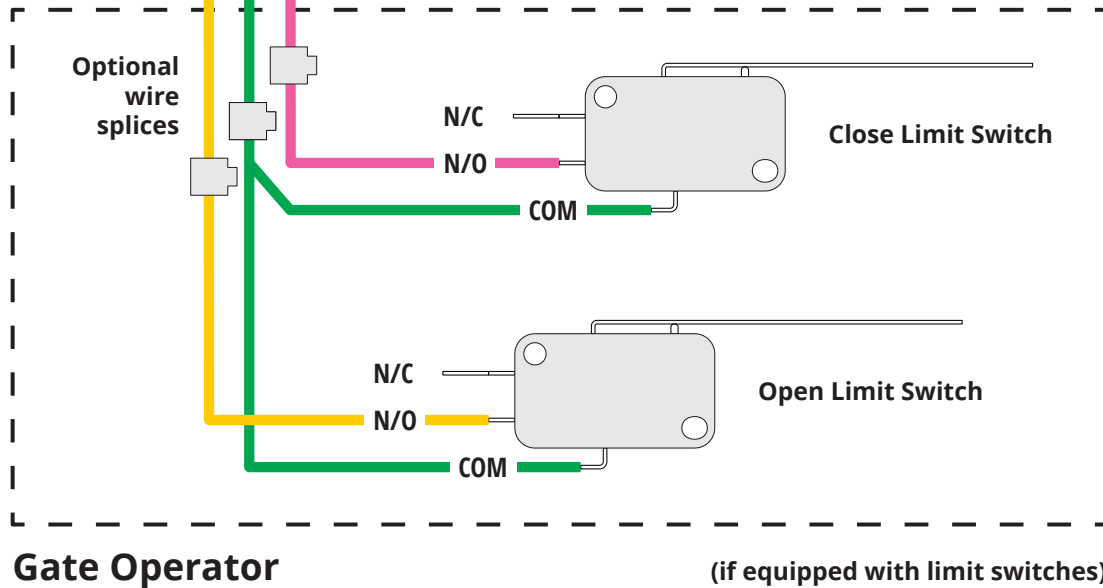
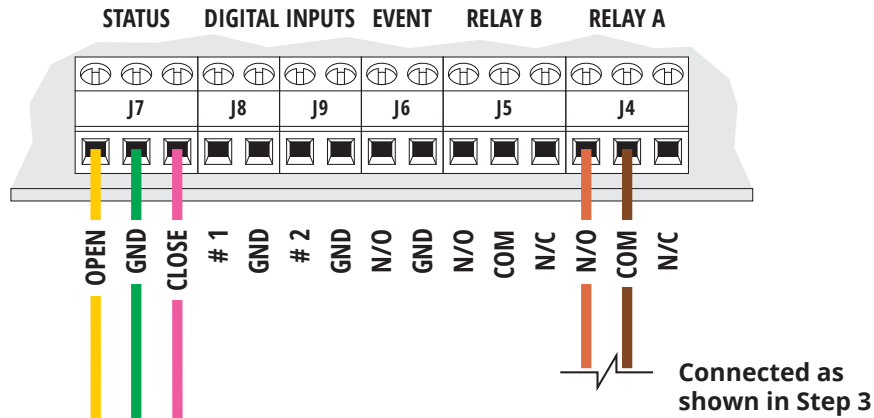
**INSTALLATION COMPLETE!**

Now follow the **Activation Guide** to create an account and begin using Ascent.

## A Status Check

Wiring to enable Gate Status Check

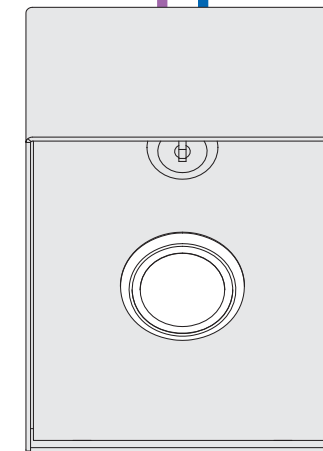
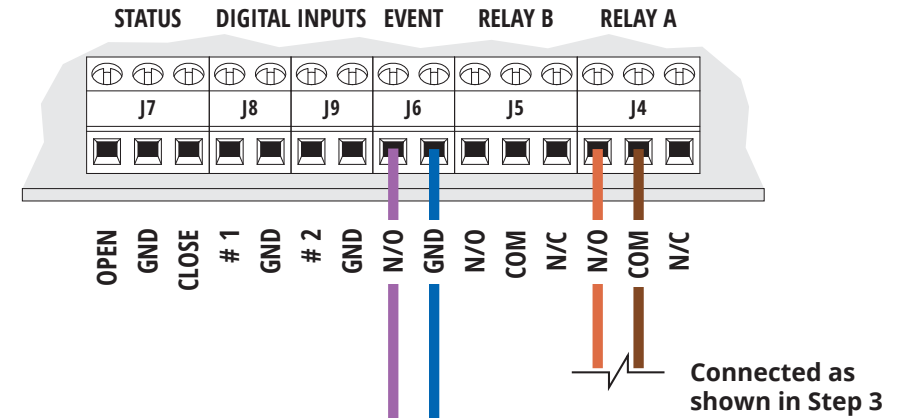
### Ascent Connection Terminals



## B Event Input

Wiring for accessories such as a request-to-exit device

### Ascent Connection Terminals



### Request-to-Exit

(Summit Access Control S-RTE-P is shown)

## Using a Third-Party Power Source (Optional)

**IMPORTANT!**

If you would like to use a third-party power source, such as solar, verify that it conforms to the following specs:

<b>Input</b>	12–24 VAC/DC no more than 10% beyond this range
<b>Current Draw</b>	less than 90 mA @ 12 VDC less than 60 mA @ 24 VDC

**3a** Connect wires to unit as shown in Step 3.

**3b** Connect wires to your power source, making sure you connect positive to positive and negative to negative.

**CAUTION!**

Double check that you've wired from positive on Ascent to positive on your power source and negative on Ascent to negative on your power source.

**Reverse polarity can damage Ascent!**

## Installing a Third-Party SIM Card (Optional)

**1** Push existing SIM card in until it unlocks with "click" sound.

**2** Remove existing SIM card and locate new SIM card.

**3** Insert new SIM card until it locks in place with "click" sound.

## NEED HELP

Call (844) 259-8265  
Text (720) 386-4627  
Email [support@summitcontrol.com](mailto:support@summitcontrol.com)  
We are available **Mon-Fri / 8am-5pm Central**