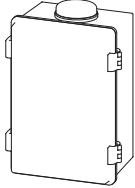





**1** Carefully unpack box and make sure you have all of the components shown below.



Ascent Unit



12-V AC/DC Adapter  
(PS-12DC1)

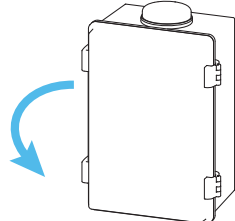
**! IMPORTANT!**

We recommend mounting Ascent C2 inside a gate operator or other weatherproof enclosure when possible.

If mounting inside a metal enclosure, two (2) **Ascent 10' Cable Extension (p/n 16-X-EXT)** products should be purchased and installed.

**Failure to do so may result in no signal!**

**2** Unlatch and swing open door of unit for wiring and setup.



Continued on next page...

**! IMPORTANT!**

Ascent **WILL NOT WORK** until the activation process is **COMPLETE!**

Follow the **Activation Guide** or call **Summit Control at (844) 259-8265** to activate your unit.

**! WARNING!**

**AUTOMATIC GATES CAN CAUSE SERIOUS INJURY OR DEATH!**

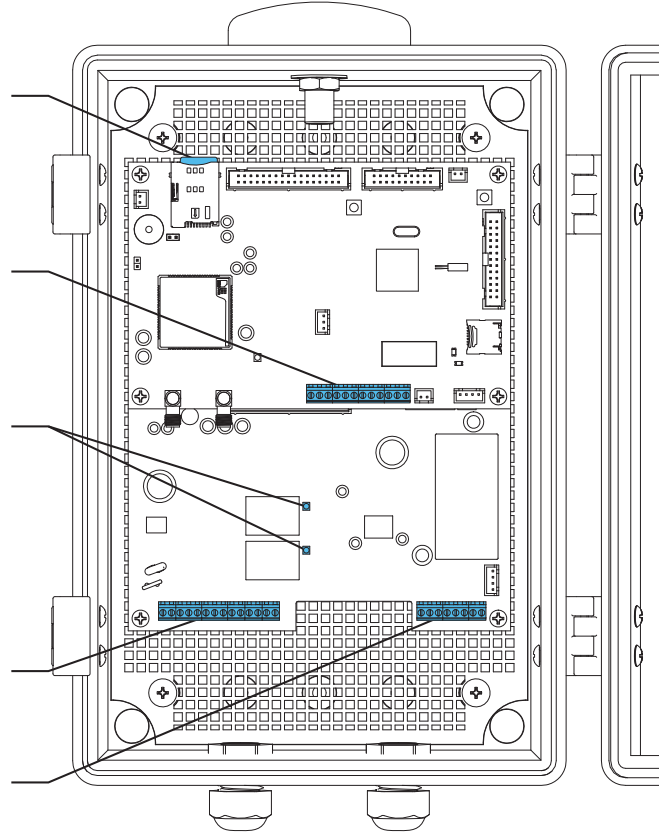
**ALWAYS CHECK that the GATE PATH IS CLEAR BEFORE OPERATING!**

Reversing or other safety devices should **ALWAYS BE USED!**

## What's what?

Important components labeled

Unit shown with door fully open.  
Internal wiring not shown for clarity.



**SIM Card**  
If you have your own SIM card, see **Page 4** and follow the instructions entitled, **Installing a Third-Party SIM Card.**

**Wiegand Device Terminals**  
For wiring to Wiegand-compatible devices. See **Page 2.**

**Relay Status LEDs**  
Relay is active when lit

**Power and Relay Terminals**  
For wiring to power and gate operator and/or door opener. See **Page 2.**

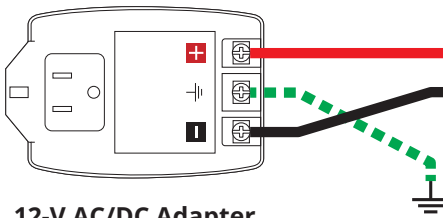
**Status and Event Terminals**  
For wiring to check gate status and for request-to-exit devices. See **Page 3.**

### 3 Connect wires

Run all wires through the wiring glands on unit and connect as shown.

Close and latch door of unit when wiring is complete.

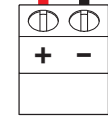
Additional wiring diagrams can be found on **Page 3**.



**12-V AC/DC Adapter**  
(Model PS-12DC1 included)

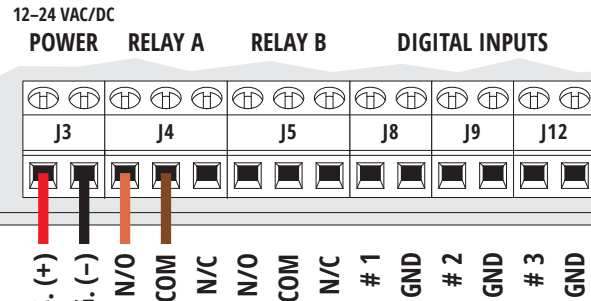
The GROUND terminal is optional unless required by local code(s). If using, please connect to earth ground or equivalent.

OR

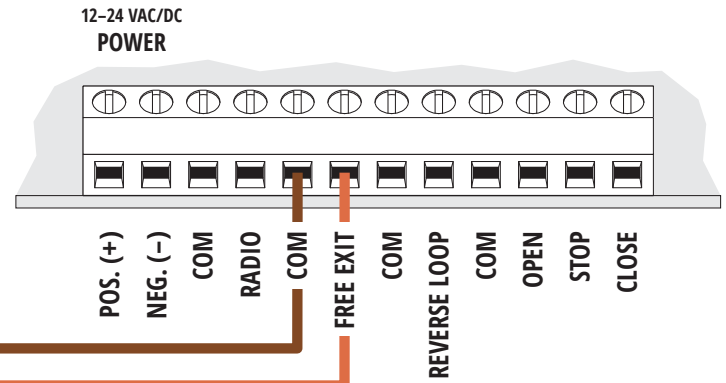


**Third-Party 12-24-VAC/DC Power Source**

### Ascent Power and Relay Terminals

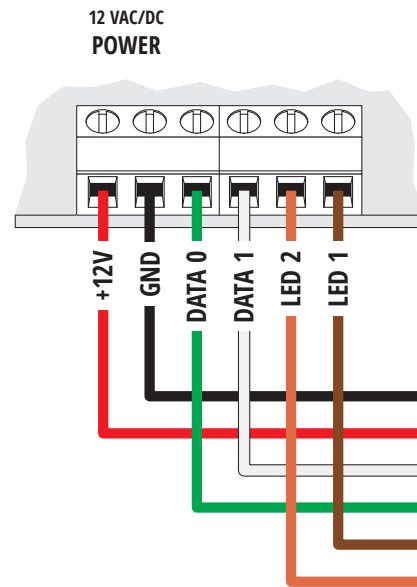


### Gate Operator / Door Opener

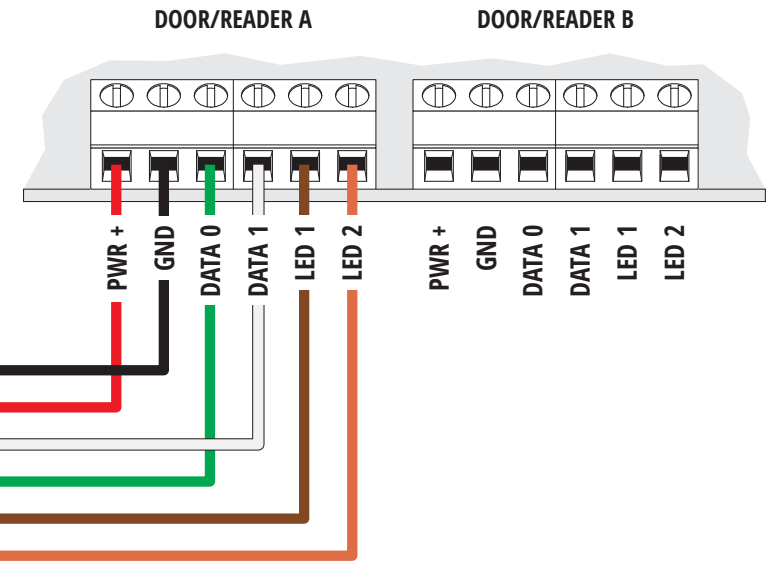


Relay B can be wired to a second device in the same manner.

### Wiegand Device



### Access Controller



**CAUTION!**

If you will not be using the 12-V AC/DC adapter, please go to **Page 4** and follow the procedure, **Using a Third-Party Power Source**.

**Do not exceed 24 VAC/DC! Failure to choose a compatible power source can damage unit!**

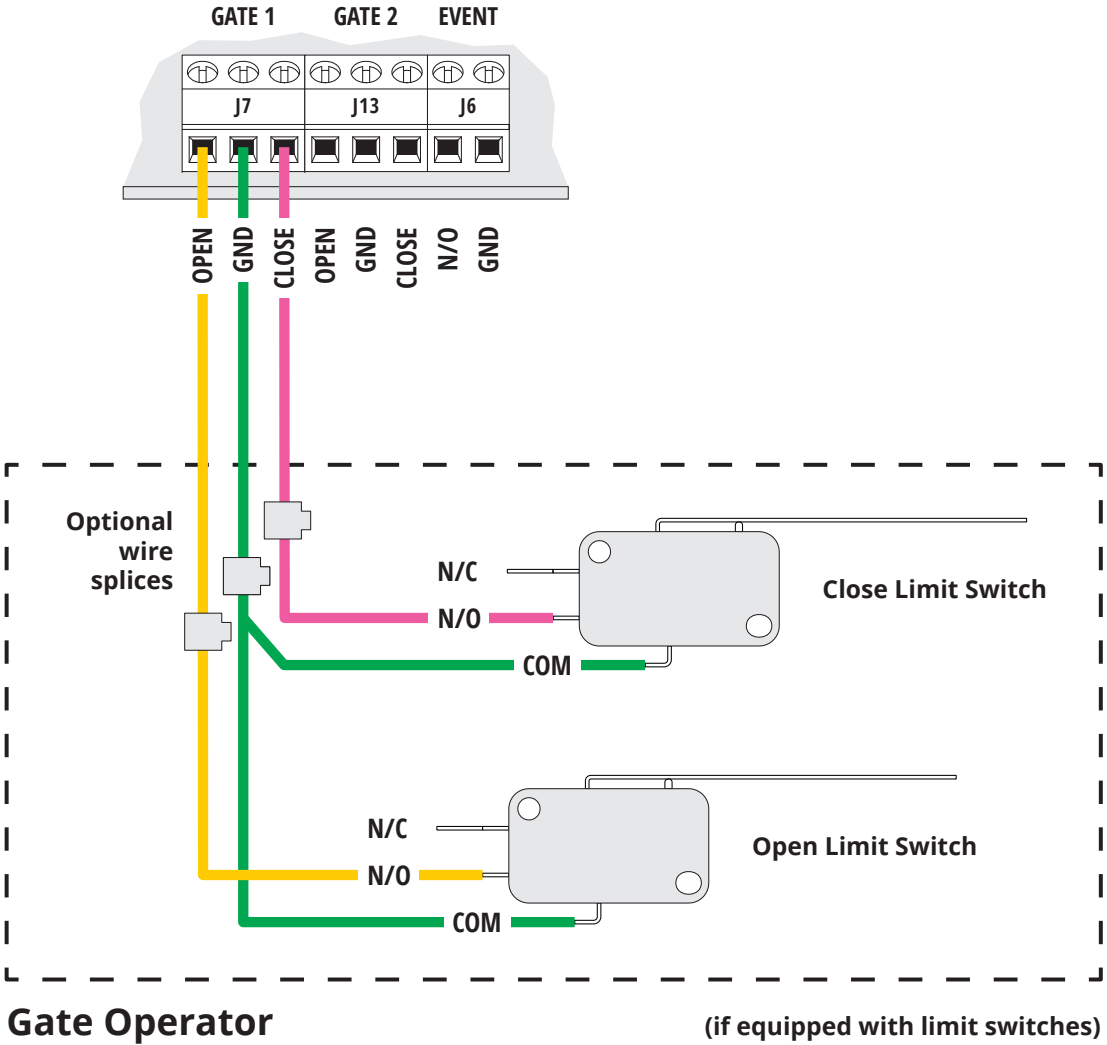
**INSTALLATION COMPLETE!**

Now follow the **Activation Guide** to create an account and begin using Ascent powered by Summit Control.

## A Status Check

Wiring to enable Gate Status Check

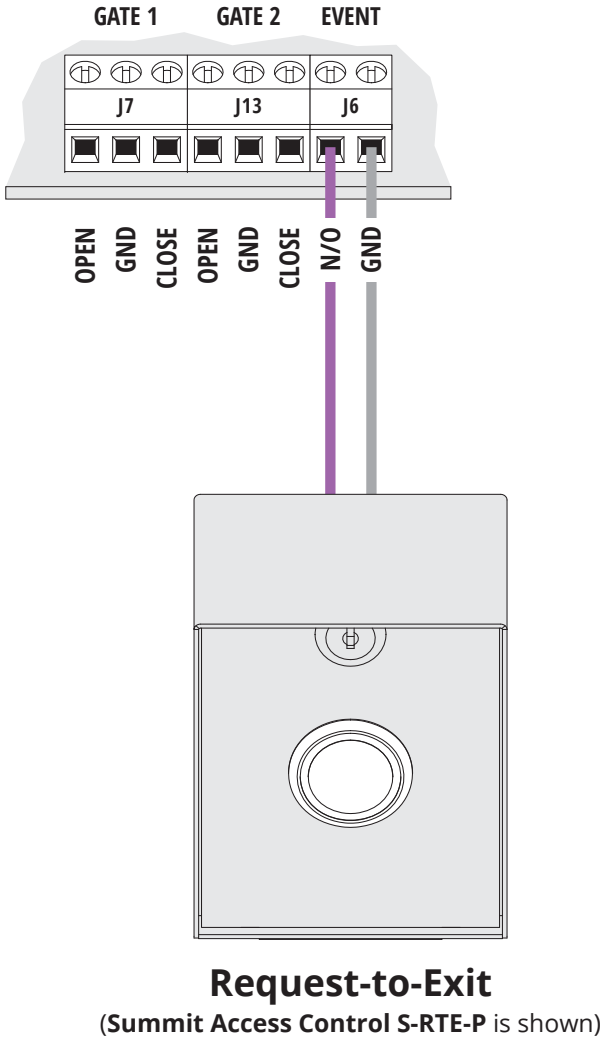
### Ascent Status and Event Terminals



## B Event Input

Wiring for accessories such as a request-to-exit device

### Ascent Status and Event Terminals



## Using a Third-Party Power Source (Optional)

**IMPORTANT!**

If you would like to use a third-party power source, such as solar, verify that it conforms to the following specs:

<b>Input</b>	12–24 VAC/DC no more than 10% beyond this range
<b>Current Draw</b>	less than 90 mA @ 12 VDC less than 60 mA @ 24 VDC

**3a** Connect wires to unit as shown in Step 3.

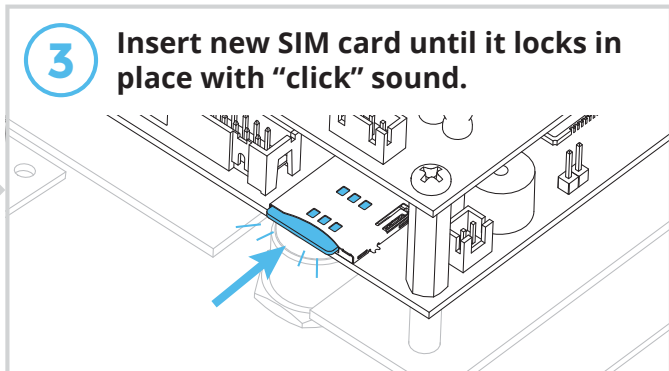
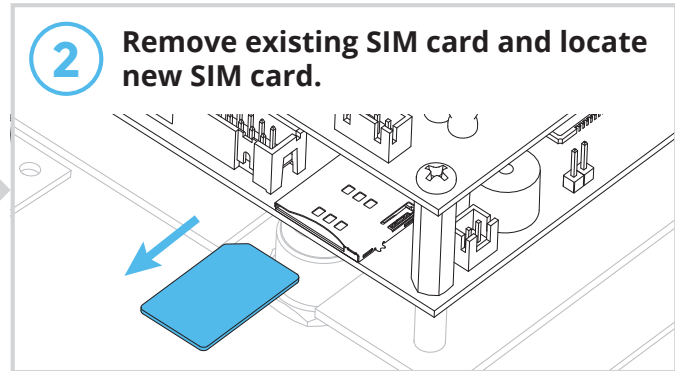
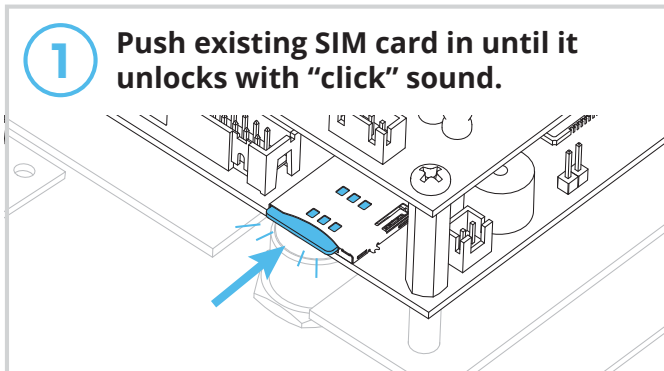
**3b** Connect wires to your power source, making sure you connect positive to positive and negative to negative.

**CAUTION!**

Double check that you've wired from positive on Ascent to positive on your power source and negative on Ascent to negative on your power source.

**Reverse polarity can damage Ascent!**

## Installing a Third-Party SIM Card (Optional)



**NEED HELP**

Call (844) 259-8265  
Text (720) 386-4627  
Email [support@summitcontrol.com](mailto:support@summitcontrol.com)  
We are available **Mon-Fri / 8am-5pm Central**