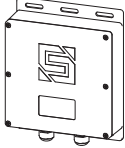





1 Carefully unpack box and make sure you have all items shown below.

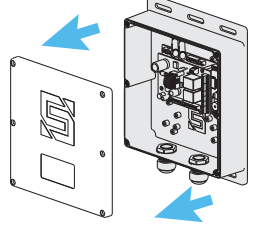


Ascent Unit



12-V AC/DC Adapter
(PS-12DC1)

2 Remove screws and cover of unit for access to internal components.



! IMPORTANT!

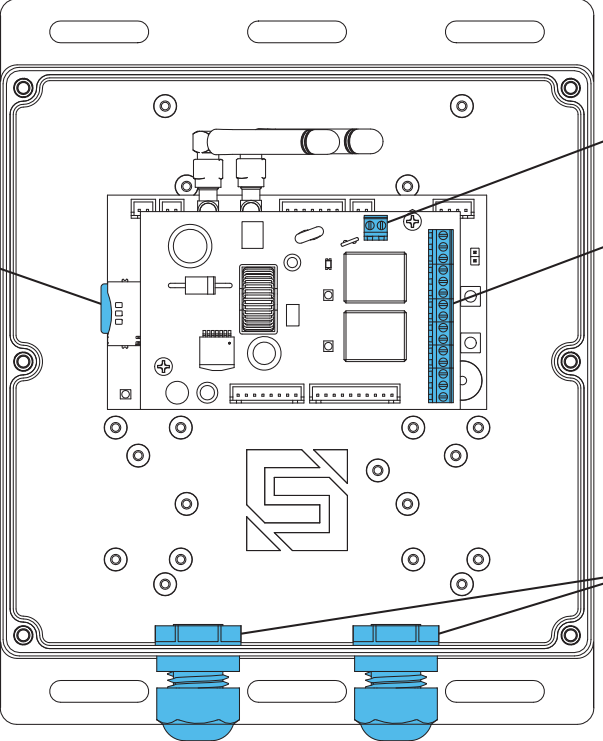
We recommend mounting Ascent C1 inside the gate operator or other weatherproof enclosure when possible.

If mounting inside a metal enclosure, two (2) **Ascent 10' Cable Extension (p/n 16-X-EXT)** products should be purchased and installed.

Failure to do so may result in no signal!

What's what?

Important components labeled



Unit shown with cover removed. Internal wiring not shown for clarity. Actual circuit boards may be rotated 180° from position shown.

Power Terminals
For wiring to compatible AC/DC power source

Connection Terminals
For wiring to all external devices including gate operator or door opener

Cable Glands
For cable management and sealing

SIM Card
If you have your own SIM card, see page 4 and follow the instructions entitled, **Installing a Third-Party SIM Card.**

Continued on next page...

! IMPORTANT!

Ascent **WILL NOT WORK** until the activation process is **COMPLETE!**

Follow the **Activation Guide** or call **Summit Control at (844) 259-8265** to activate your unit.

! WARNING!

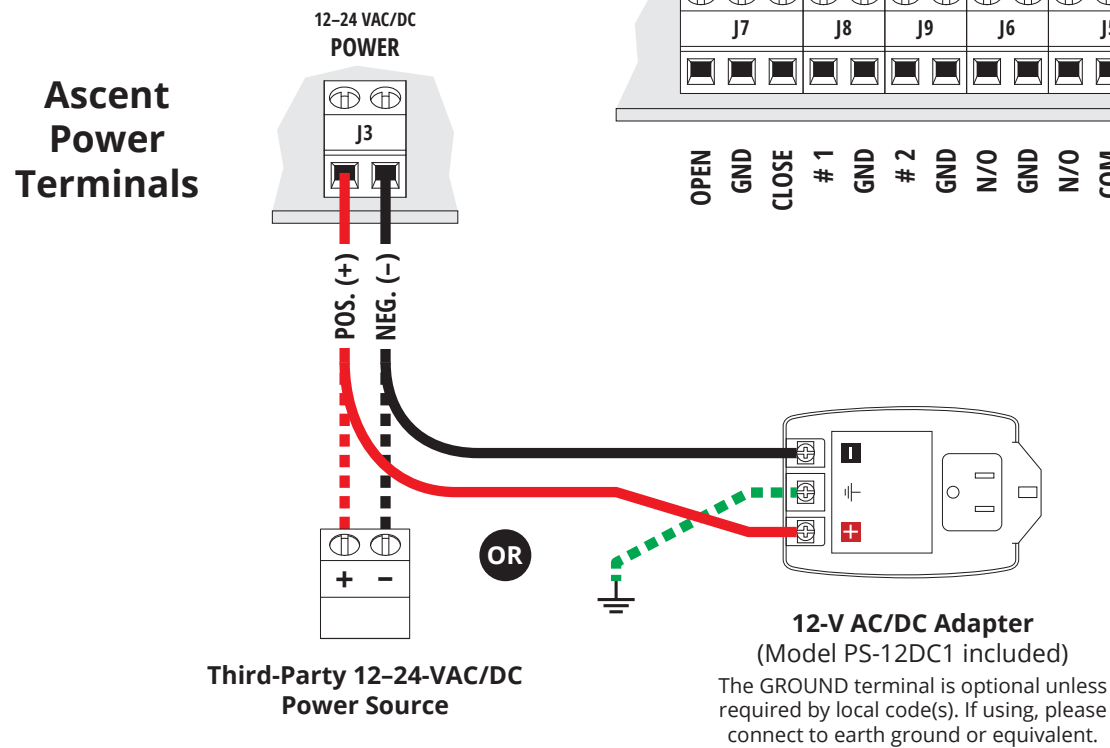
AUTOMATIC GATES CAN CAUSE SERIOUS INJURY OR DEATH!

ALWAYS CHECK that the **GATE PATH IS CLEAR BEFORE OPERATING!**

Reversing or other safety devices should **ALWAYS BE USED!**

3 Connect wires

Feed wires through cable gland(s) on unit and connect as shown.



Additional wiring diagrams can be found on **Page 3**.

Consult gate operator or door opener manual for exact connections. Terminals vary widely across manufacturers and models.

CAUTION!

If you will not be using the 12-V AC/DC adapter, please go to **Page 4** and follow the procedure, **Using a Third-Party Power Source**.

Do not exceed 24 VAC/DC! Failure to choose a compatible power source can damage unit!

STOP!

Before going forward, double check wiring and ensure unit has power!

For additional wiring options, see **Page 3**.

4 Tighten cable-gland locknut(s).

5 Replace and secure front cover with included screws.

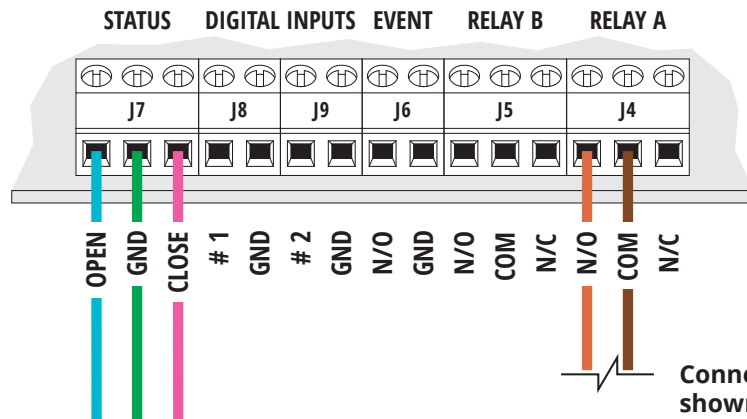
INSTALLATION COMPLETE!

Now follow the **Activation Guide** to create an account and begin using Ascent.

A Status Check

Wiring to enable Gate Status Check

Ascent Connection Terminals



CAUTION!

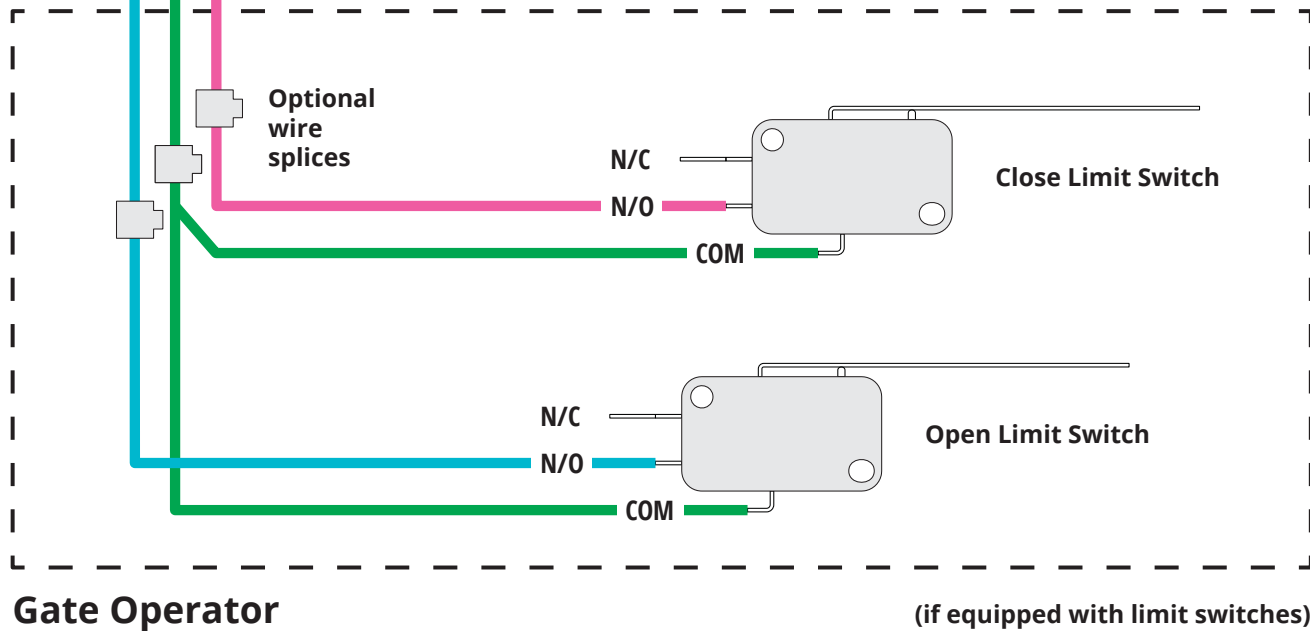
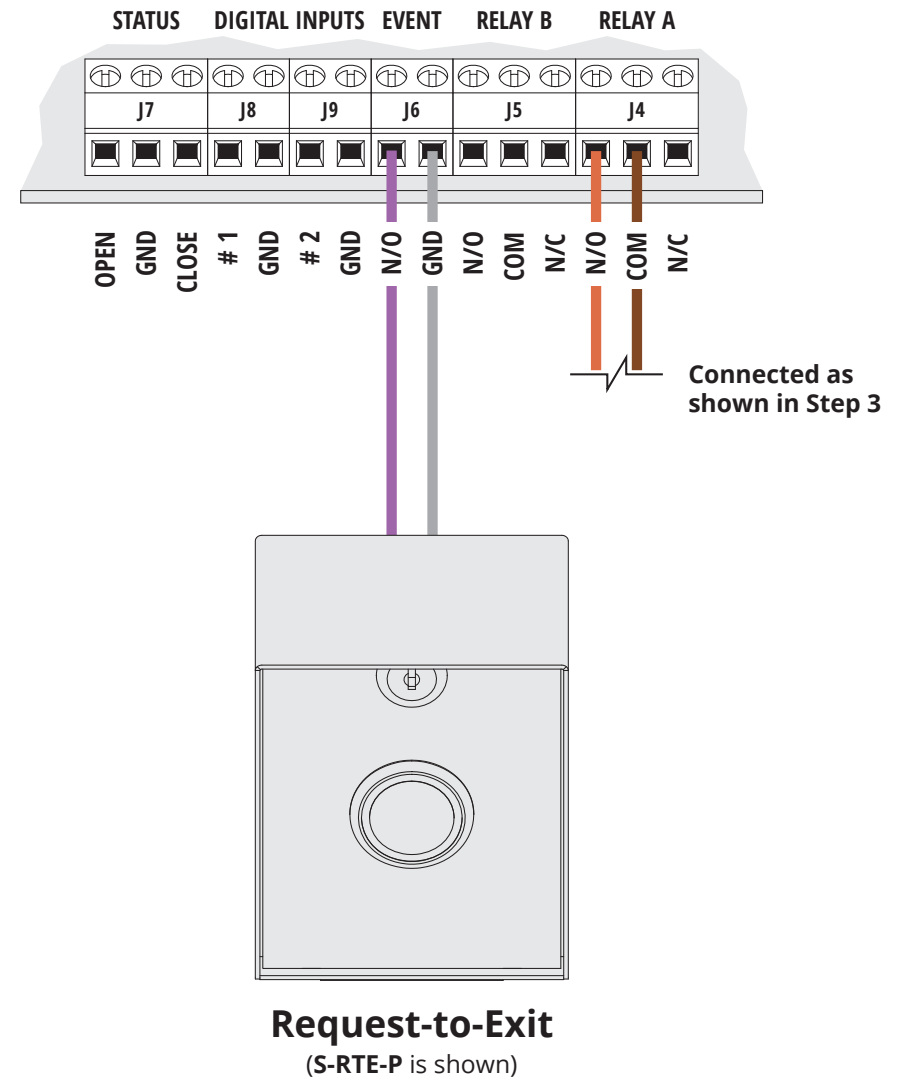
The Status Terminals are designed for low voltage (**3 V or less**). Check the voltage on your status wires before connecting. If it is above 3 V, you will need to contact **Technical Support**.

Exceeding 3 V can damage Ascent!

B Event Input

Wiring for accessories such as a request-to-exit device

Ascent Connection Terminals



Using a Third-Party Power Source (Optional)

IMPORTANT!

If you would like to use a third-party power source, such as solar, verify that it conforms to the following specs:

Input	12–24 VAC/DC no more than 10% beyond this range
Current Draw	less than 180 mA @ 12 VDC less than 150 mA @ 24 VDC

3a Connect wires to unit as shown in Step 3.

3b Connect wires to your power source, making sure you connect positive to positive and negative to negative.

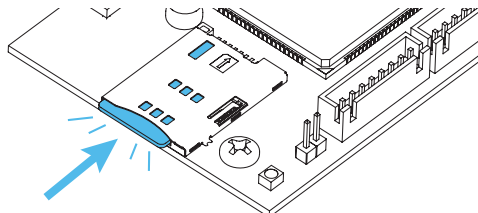
CAUTION!

Double check that you've wired from positive on Ascent to positive on your power source and negative on Ascent to negative on your power source.

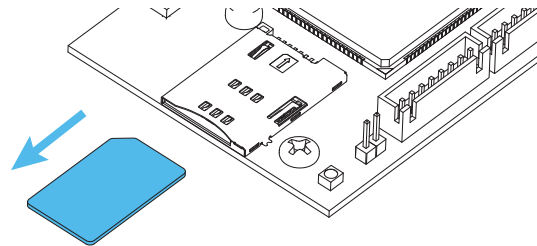
Reverse polarity can damage Ascent!

Installing a Third-Party SIM Card (Optional)

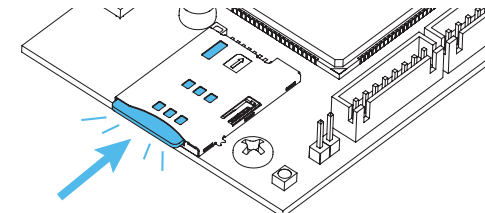
1 Push existing SIM card in until it unlocks with "click" sound.



2 Remove existing SIM card and locate new SIM card.



3 Insert new SIM card until it locks in place with "click" sound.



NEED HELP

Call (844) 259-8265
Email support@summitcontrol.com
We are available **Mon-Fri / 8am-5pm Central**