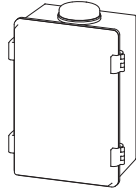





1 Carefully unpack box and make sure you have all items shown below.



Ascent Unit



12-V AC/DC Adapter
(PS-12DC1)

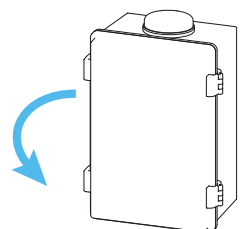
! IMPORTANT!

We recommend mounting Ascent C2 inside the gate operator or other weatherproof enclosure when possible.

If mounting inside a metal enclosure, two (2) **Ascent 10' Cable Extension (p/n 16-X-EXT)** products should be purchased and installed.

Failure to do so may result in no signal!

2 Unlatch and swing open door of unit for wiring and setup.



Continued on next page...

! IMPORTANT!

Ascent **WILL NOT WORK** until the activation process is **COMPLETE!**

Follow the **Activation Guide** or call **Summit Control** at **(844) 259-8265** to activate your unit.

! WARNING!

AUTOMATIC GATES CAN CAUSE SERIOUS INJURY OR DEATH!

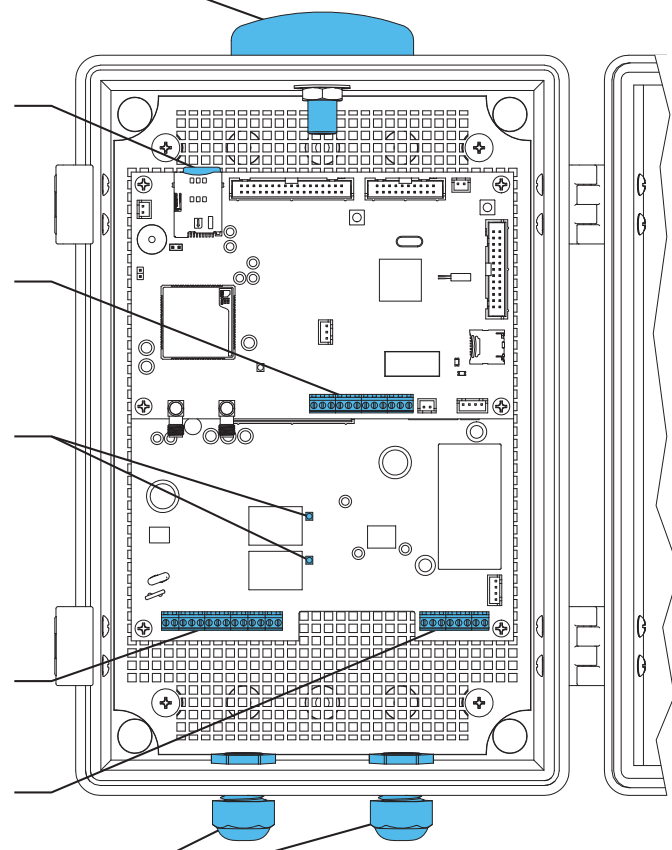
ALWAYS CHECK that the **GATE PATH IS CLEAR BEFORE OPERATING!**

Reversing or other safety devices should **ALWAYS BE USED!**

What's what?

Important components labeled

Unit shown with door fully open. Internal wiring not shown for clarity.



- 4G LTE Antenna**
- SIM Card**
If you have your own SIM card, see Page 4 and follow the instructions entitled, *Installing a Third-Party SIM Card.*
- Wiegand Device Terminals**
For wiring to Wiegand devices. See Page 2.
- Relay Status LEDs**
Relay is active when lit
- Power and Relay Terminals**
For wiring to power and gate operator and/or door opener. See Page 2.
- Status and Event Terminals**
For wiring to check gate status and for request-to-exit devices. See Page 3.
- Wiring Glands**

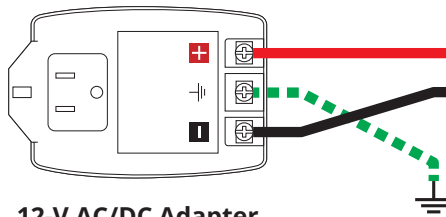
3 Connect wires

Feed wires through cable gland(s) on unit and connect as shown.

Tighten cable-gland locknut(s).

Close and latch door of unit when wiring is complete.

Additional wiring diagrams can be found on **Page 3**.



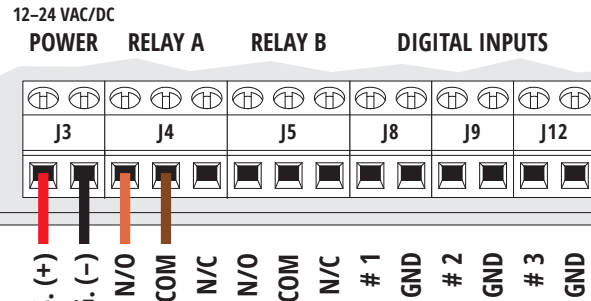
12-V AC/DC Adapter
(Model PS-12DC1 included)

The GROUND terminal is optional unless required by local code(s). If using, please connect to earth ground or equivalent.

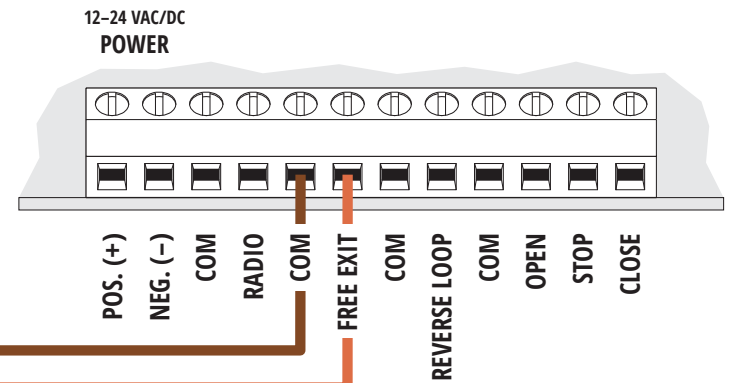
OR

Third-Party 12-24-VAC/DC Power Source

Ascent Power and Relay Terminals



Gate Operator / Door Opener

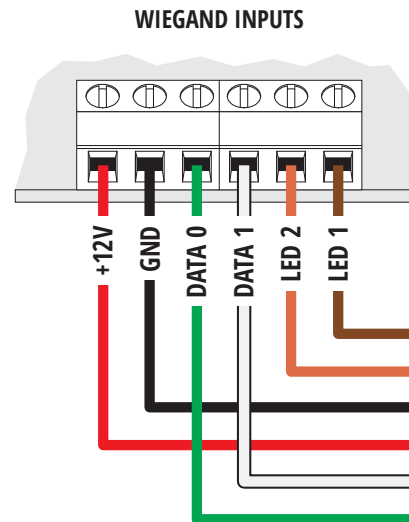


Relay B can be wired to a second device in same manner.

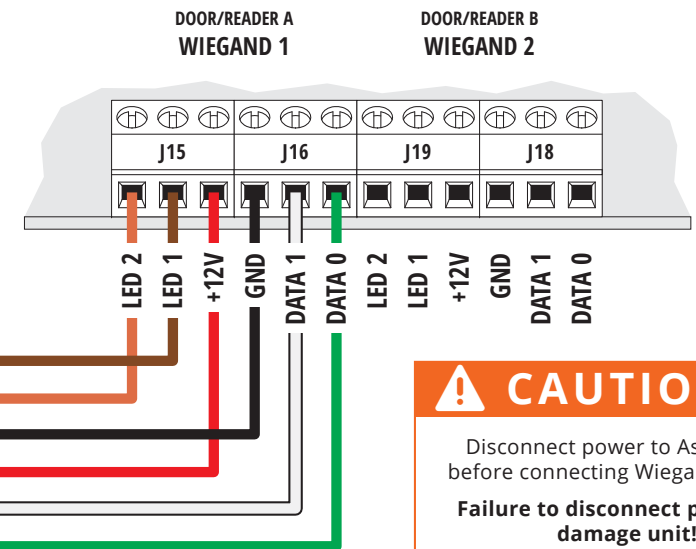
Consult gate operator or door opener manual for exact connections.
Terminals vary widely across manufacturers and models.

Wiring to Wiegand Devices

Wiegand Device



Ascent



CAUTION!

If you will not be using the 12-V AC/DC adapter, please go to **Page 4** and follow the procedure, **Using a Third-Party Power Source**.

Do not exceed 24 VAC/DC! Failure to choose a compatible power source can damage unit!



INSTALLATION COMPLETE!

Now follow the **Activation Guide** to create an account and begin using Ascent powered by Summit Control.

CAUTION!

Disconnect power to Ascent unit before connecting Wiegand devices.
Failure to disconnect power can damage unit!

A Status Check

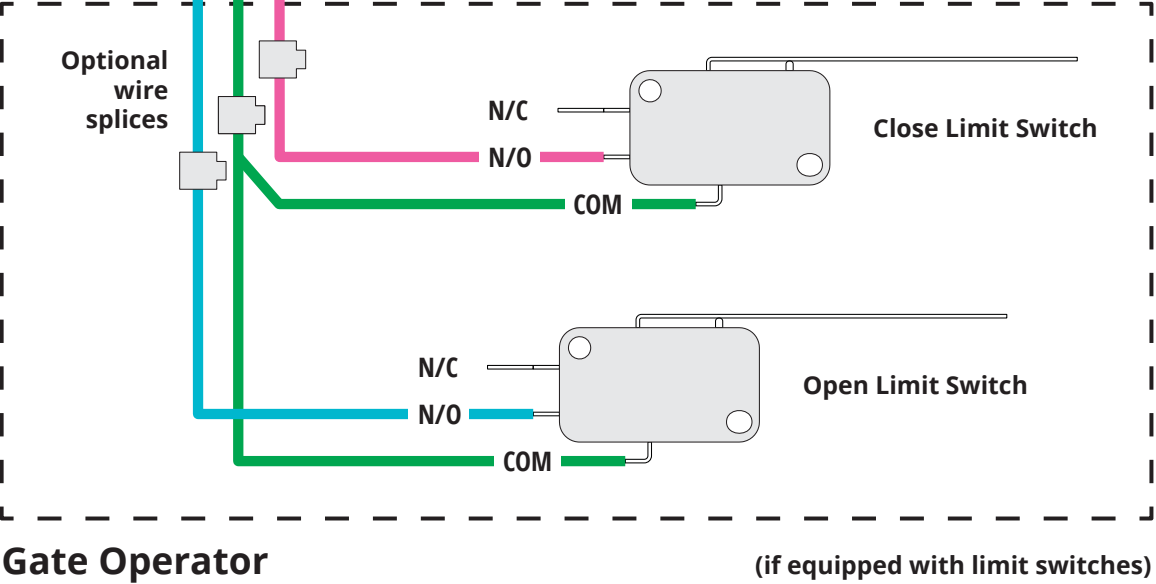
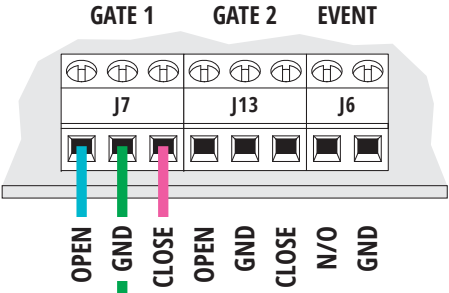
Wiring to enable Gate Status Check

CAUTION!

The Status Terminals are designed for low voltage (3 V or less). Check the voltage on your status wires before connecting. If it is above 3 V, you will need to contact **Technical Support**.

Exceeding 3 V can damage unit!

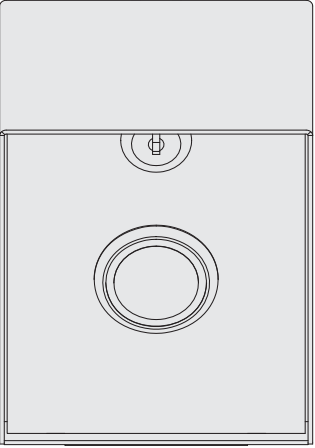
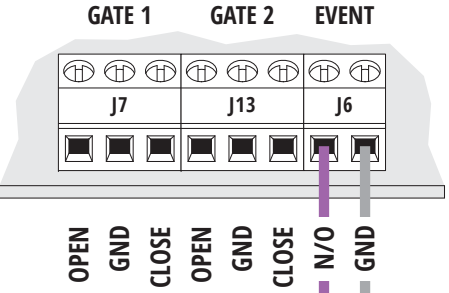
Ascent Status and Event Terminals



B Event Input

Wiring for accessories such as a request-to-exit device

Ascent Status and Event Terminals



Request-to-Exit
(S-RTE-P is shown)

Using a Third-Party Power Source (Optional)

IMPORTANT!

If you would like to use a third-party power source, such as solar, verify that it conforms to the following specs:

Input	12–24 VAC/DC no more than 10% beyond this range
Current Draw	less than 180 mA @ 12 VDC less than 150 mA @ 24 VDC

3a Connect wires to unit as shown in Step 3.

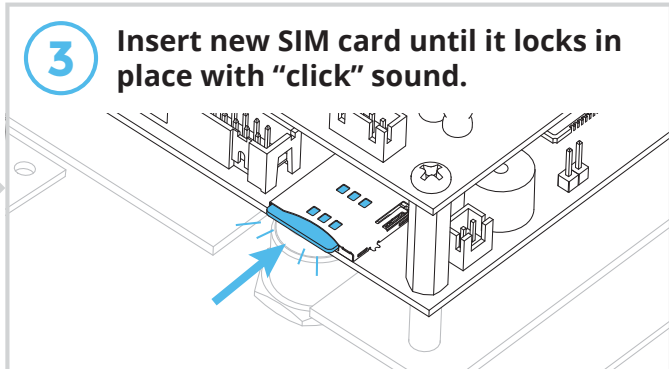
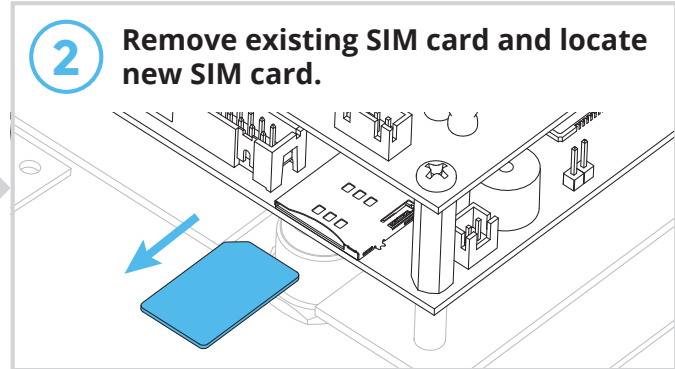
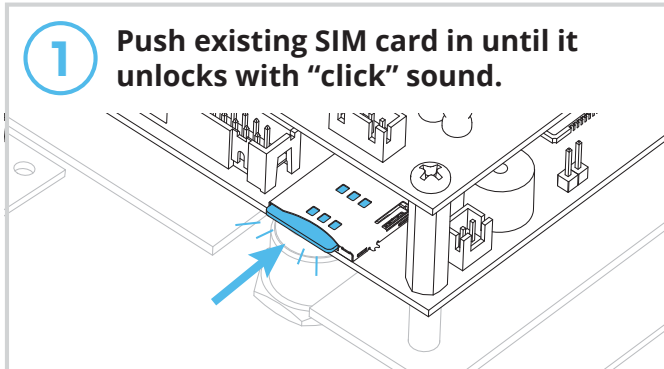
3b Connect wires to your power source, making sure you connect positive to positive and negative to negative.

CAUTION!

Double check that you've wired from positive on Ascent to positive on your power source and negative on Ascent to negative on your power source.

Reverse polarity can damage Ascent!

Installing a Third-Party SIM Card (Optional)



? NEED HELP

Call (844) 259-8265
Email support@summitcontrol.com
We are available **Mon-Fri / 8am-5pm Central**