



1 Carefully unpack box and make sure you have all items shown below.



Ascent Unit



12-V AC/DC Adapter
(PS-12DC1)



Key



Carriage Bolt
(x4)



Hex Nut
(x4)

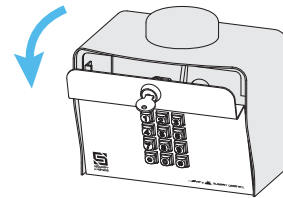
IMPORTANT!

We recommend mounting Ascent on a gooseneck pedestal using included hardware.

If using alternate mounting, two (2) **Ascent 10' Cable Extension (p/n 16-X-EXT)** products should be purchased and installed.

Failure to do so may result in NO SIGNAL!

2 Unlock and open front panel of unit for wiring and setup.



Continued on next page...

IMPORTANT!

Ascent **WILL NOT WORK** until the activation process is **COMPLETE!**

Follow the **Activation Guide** or call **Summit Control at (844) 259-8265** to activate your unit.

WARNING!

AUTOMATIC GATES CAN CAUSE SERIOUS INJURY OR DEATH!

ALWAYS CHECK that the GATE PATH IS CLEAR BEFORE OPERATING!

Reversing or other safety devices should **ALWAYS BE USED!**

What's what?

Important components labeled

Unit shown with front panel fully open. Internal wiring not shown for clarity.

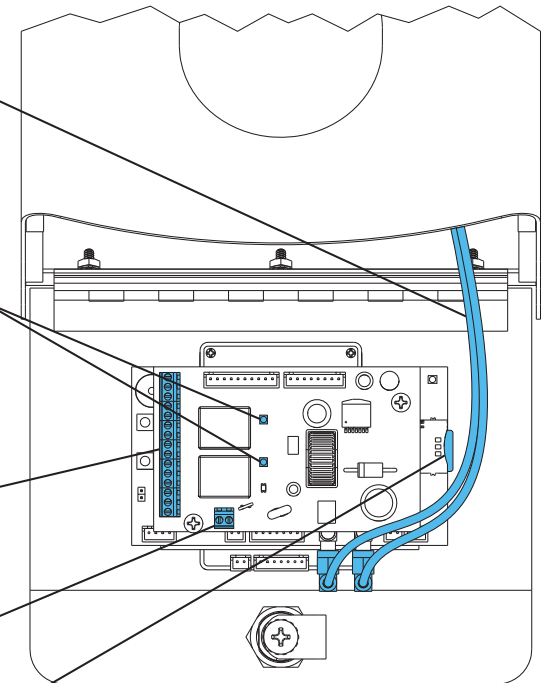
Antenna Cables

Relay Status LEDs
Relay is active when lit

Connection Terminals
For wiring to all external devices including gate operator or door opener

Power Terminals
For wiring to compatible AC/DC power source

SIM Card
If you have your own SIM card, see Page 4 and follow the instructions entitled, *Installing a Third-Party SIM Card.*



CAUTION!

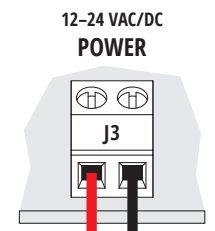
Please use **all four screws** when mounting unit to pedestal. Leave "hockey puck" antenna in place, even if using extension. Seal any holes or gaps created in unit enclosure.

Failure to follow these instructions can result in damage to the unit!

3 Connect wires

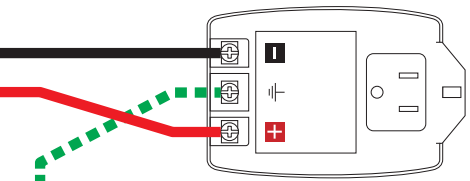
Feed wires through back of unit and connect as shown.

Ascent Power Terminals



Third-Party 12-24-VAC/DC Power Source

OR

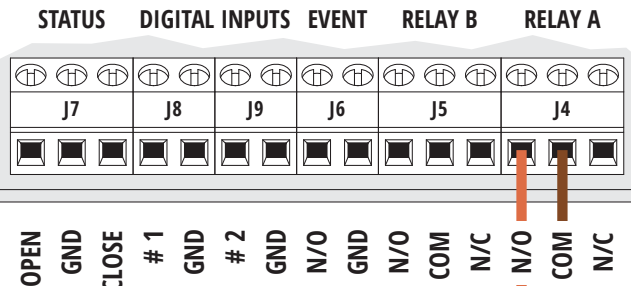


12-V AC/DC Adapter (Model PS-12DC1 included)

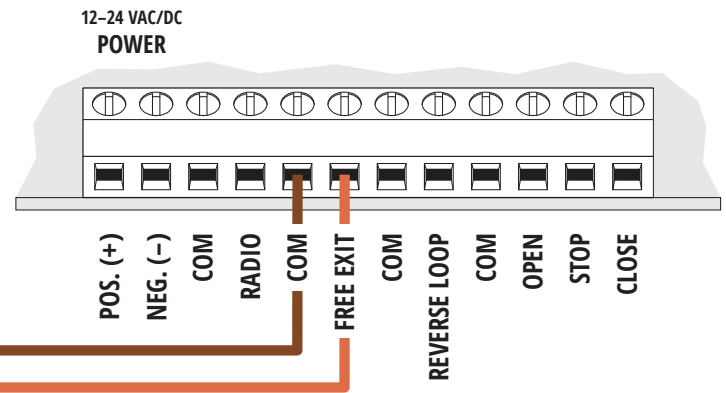
The GROUND terminal is optional unless required by local code(s). If using, please connect to earth ground or equivalent.

If plugging into duplex outlet, remove screw from outlet plate, and secure with included screw.

Ascent Connection Terminals



Gate Operator / Door Opener



Relay B can be wired to a second device in the same manner.

Additional wiring diagrams can be found on Page 3.

Consult gate operator or door opener manual for exact connections. Terminals vary widely across manufacturers and models.

CAUTION!

If you will not be using the 12-V AC/DC adapter, please go to **Page 4** and follow the procedure, **Using a Third-Party Power Source.**

Do not exceed 24 VAC/DC! Failure to choose a compatible power source can damage unit!

STOP!

Before going forward, double check wiring and ensure unit has power!

For additional wiring options, see **Page 3.**

4 Close and lock front panel.

5 Make sure gate path is clear, then key in temporary code 2012 on keypad and confirm gate opens.

2 0 1 2

Adding and deleting codes is done through Summit Control and **NOT** from the keypad!

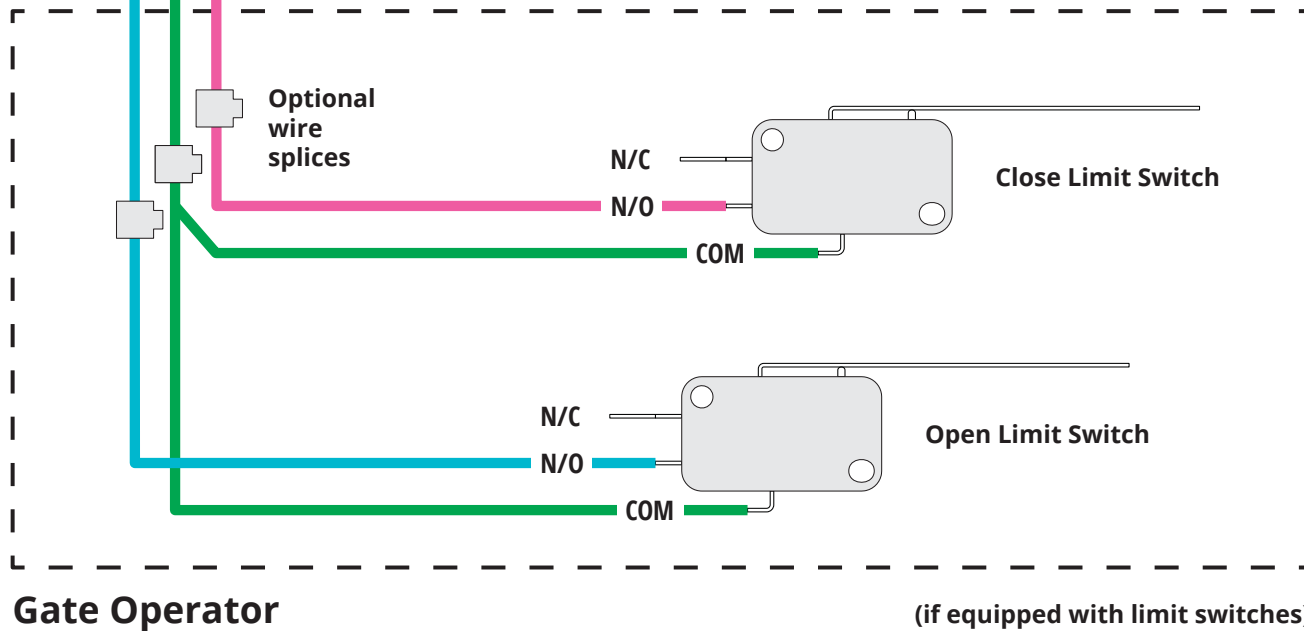
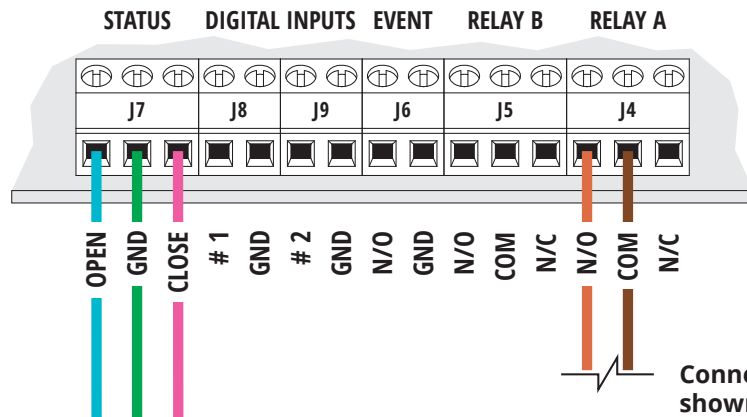
INSTALLATION COMPLETE!

Now follow the **Activation Guide** to create an account and begin using Ascent.

A Status Check

Wiring to enable Gate Status Check

Ascent Connection Terminals



CAUTION!

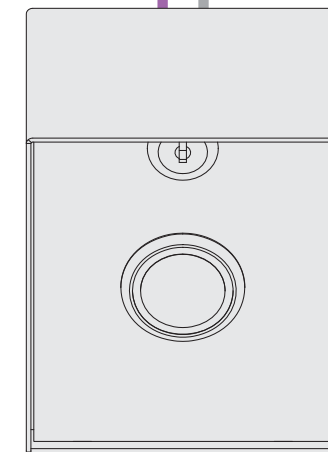
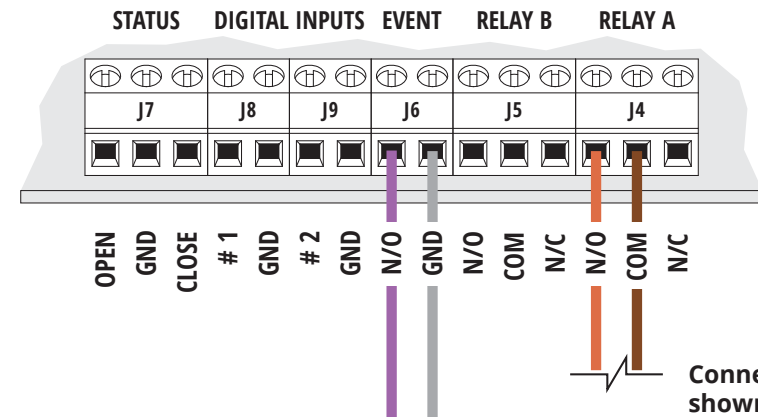
The Status Terminals are designed for low voltage (**3 V or less**). Check the voltage on your status wires before connecting. If it is above 3 V, you will need to contact **Technical Support**.

Exceeding 3 V can damage Ascent!

B Event Input

Wiring for accessories such as a request-to-exit device

Ascent Connection Terminals



Request-to-Exit
(S-RTE-P is shown)

Using a Third-Party Power Source (Optional)

IMPORTANT!

If you would like to use a third-party power source, such as solar, verify that it conforms to the following specs:

Input	12–24 VAC/DC no more than 10% beyond this range
Current Draw	less than 190 mA @ 12 VDC less than 160 mA @ 24 VDC

3a Connect wires to unit as shown in Step 3.

3b Connect wires to your power source, making sure you connect positive to positive and negative to negative.

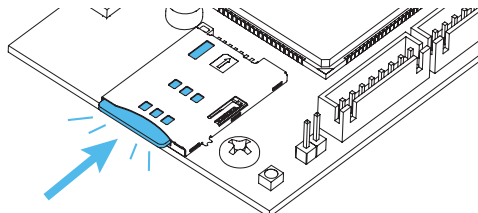
CAUTION!

Double check that you've wired from positive on Ascent to positive on your power source and negative on Ascent to negative on your power source.

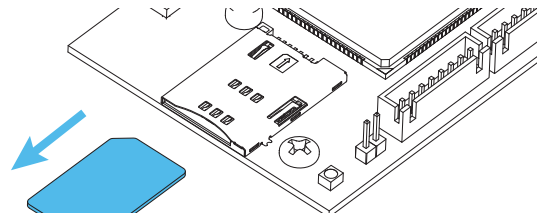
Reverse polarity can damage Ascent!

Installing a Third-Party SIM Card (Optional)

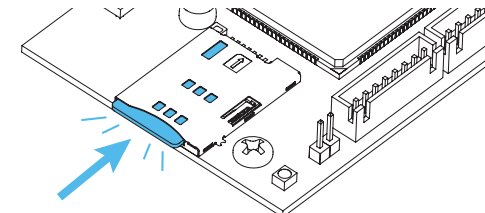
1 Push existing SIM card in until it unlocks with "click" sound.



2 Remove existing SIM card and locate new SIM card.



3 Insert new SIM card until it locks in place with "click" sound.



NEED HELP

Call (844) 259-8265
Email support@summitcontrol.com
We are available **Mon-Fri / 8am-5pm Central**