



**1** Carefully unpack box and make sure you have all items shown below.



Ascent Unit



12-V AC/DC Adapter (PS-12DC1)



Key



Carriage Bolt (x4)



Hex Nut (x4)

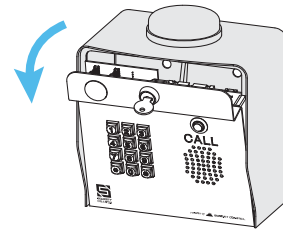
## IMPORTANT!

We recommend mounting Ascent on a gooseneck pedestal using included hardware.

If using alternate mounting, two (2) **Ascent 10' Cable Extension (p/n 16-X-EXT)** products should be purchased and installed.

**Failure to do so may result in NO SIGNAL!**

**2** Unlock and open front panel of unit for wiring and setup.



Continued on next page...

## IMPORTANT!

Ascent **WILL NOT WORK** until the activation process is **COMPLETE!**

Follow the **Activation Guide** or call **Summit Control at (844) 259-8265** to activate your unit.

## WARNING!

**AUTOMATIC GATES CAN CAUSE SERIOUS INJURY OR DEATH!**

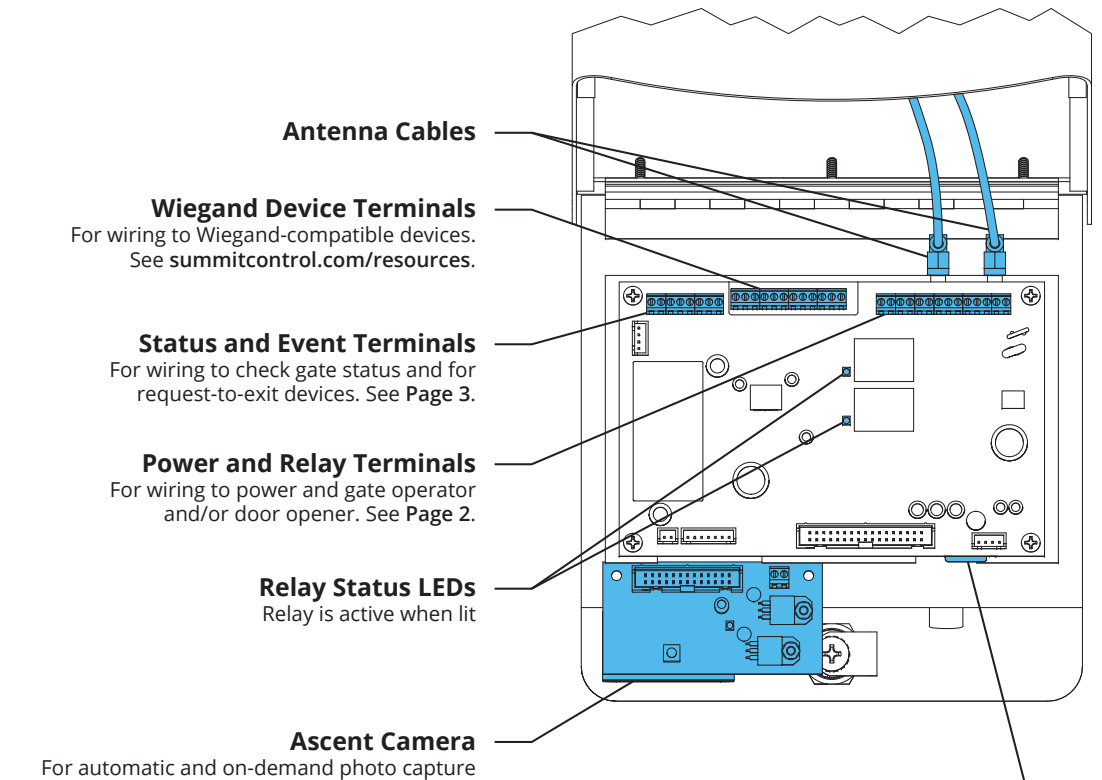
**ALWAYS CHECK** that the **GATE PATH IS CLEAR BEFORE OPERATING!**

Reversing or other safety devices should **ALWAYS BE USED!**

## What's what?

Important components labeled

Unit shown with front panel fully open. Internal wiring not shown for clarity.



### SIM Card

If you have your own SIM card, see Page 4 and follow the instructions entitled, **Installing a Third-Party SIM Card.**

## CAUTION!

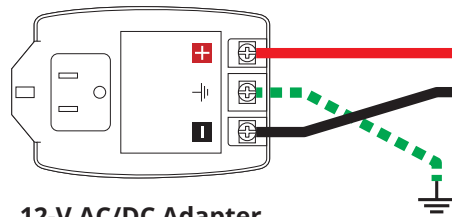
Please use **all four screws** when mounting unit to pedestal. Leave "hockey puck" antenna in place, even if using extension. Seal any holes or gaps created in unit enclosure.

**Failure to follow these instructions can result in damage to the unit!**

### 3 Connect wires

Feed wires through back of unit and connect as shown.

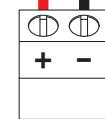
Additional wiring diagrams can be found on **Page 3**.



**12-V AC/DC Adapter**  
(Model PS-12DC1 included)

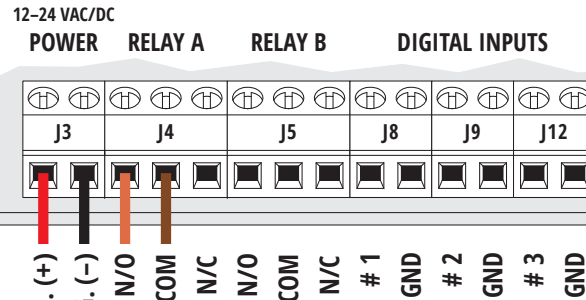
The GROUND terminal is optional unless required by local code(s). If using, please connect to earth ground or equivalent.

OR

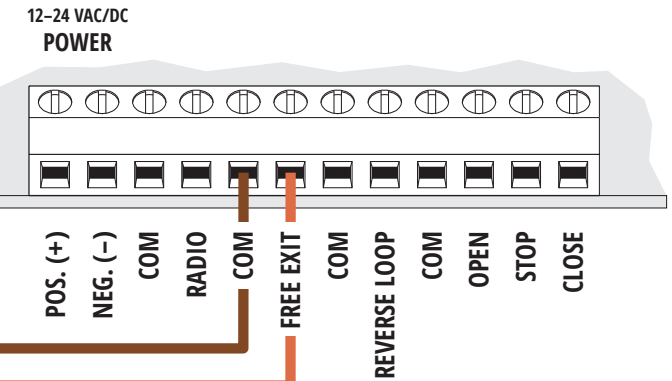


**Third-Party 12-24-VAC/DC Power Source**

#### Ascent Power and Relay Terminals



#### Gate Operator / Door Opener



Relay B can be wired to a second device in the same manner.

Consult gate operator or door opener manual for exact connections. Terminals vary widely across manufacturers and models.

**CAUTION!**

If you will not be using the 12-V AC/DC adapter, please go to **Page 4** and follow the procedure, **Using a Third-Party Power Source**.

**Do not exceed 24 VAC/DC! Failure to choose a compatible power source can damage unit!**

**STOP!**

**Before going forward, double check wiring and ensure unit has power!**

For additional wiring options, see **Page 3**.

**4** Close and lock front panel.

**5** Make sure gate path is clear, then key in temporary code 2012 on keypad and confirm gate opens.

2

0

1

2

Adding and deleting codes is done through Summit Control and **NOT** from the keypad!

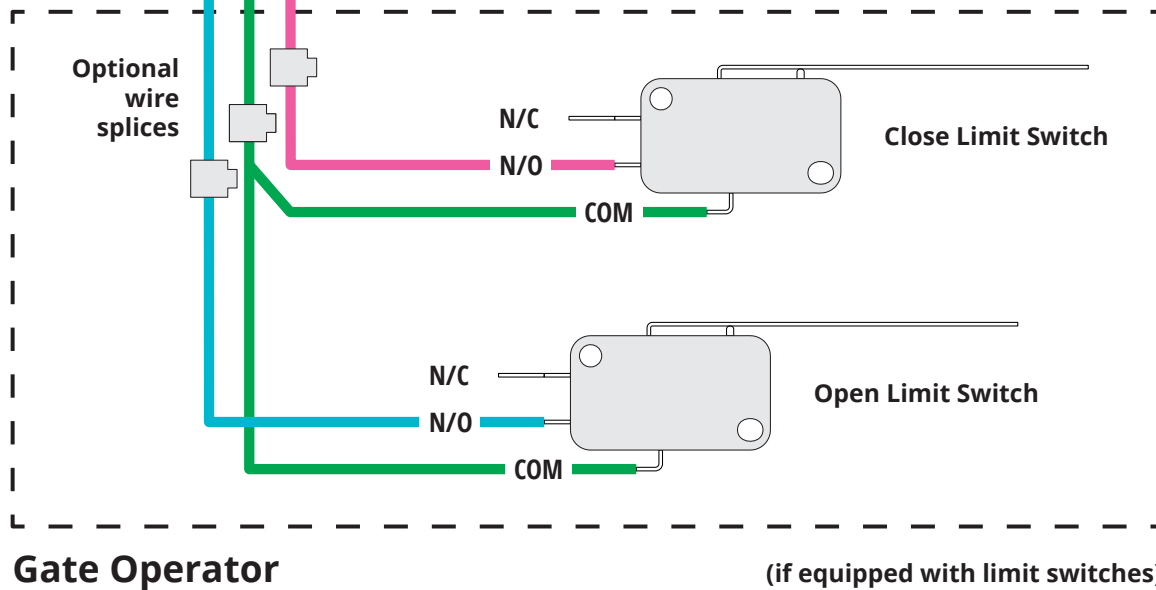
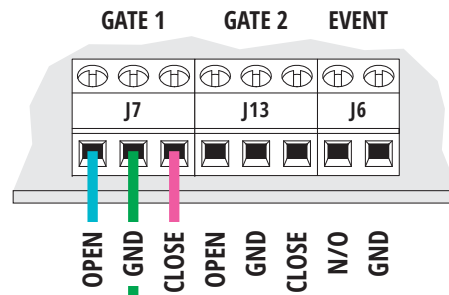
**INSTALLATION COMPLETE!**

Now follow the **Activation Guide** to create an account and begin using Ascent.

## A Status Check

Wiring to enable Gate Status Check

### Ascent Status and Event Terminals



## CAUTION!

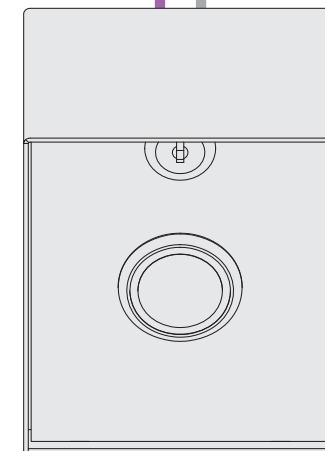
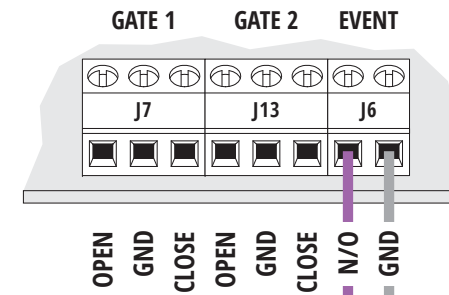
The Status Terminals are designed for low voltage (3 V or less). Check the voltage on your status wires before connecting. If it is above 3 V, you will need to contact **Technical Support**.

**Exceeding 3 V can damage Ascent!**

## B Event Input

Wiring for accessories such as a request-to-exit device

### Ascent Status and Event Terminals



**Request-to-Exit**  
(S-RTE-P is shown)

## Using a Third-Party Power Source (Optional)

**IMPORTANT!**

If you would like to use a third-party power source, such as solar, verify that it conforms to the following specs:

<b>Input</b>	12–24 VAC/DC no more than 10% beyond this range
<b>Current Draw</b>	less than 190 mA @ 12 VDC less than 160 mA @ 24 VDC

**3a** Connect wires to unit as shown in Step 3.

**3b** Connect wires to your power source, making sure you connect positive to positive and negative to negative.

**CAUTION!**

Double check that you've wired from positive on Ascent to positive on your power source and negative on Ascent to negative on your power source.

**Reverse polarity can damage Ascent!**

## Installing a Third-Party SIM Card (Optional)

**1** Push existing SIM card in until it unlocks with "click" sound.

**2** Remove existing SIM card and locate new SIM card.

**3** Insert new SIM card until it locks in place with "click" sound.

## NEED HELP

Call (844) 259-8265  
Email [support@summitcontrol.com](mailto:support@summitcontrol.com)  
We are available **Mon–Fri / 8am–5pm Central**