

REMOTEPRO KP QUICK START GUIDE

MODEL 12-000



1 Carefully unpack box

2 Make sure all components are present

RemotePro KP Key Carriage Bolt (x4) Hex Nut (x4)

3 Unlock and open unit, then using included carriage bolts and hex nuts, attach unit to pedestal as shown

Continued on next page...

What's what?

All of the important components labeled for you

Status LED
Provides feedback during operation and programming. See page 2 for reference.

Keypad
Used for operation and programming

Connection Terminals
For wiring to power and external devices

Reset Button
For performing unit and master reset

Unit shown with front panel fully open. Internal wiring not shown for clarity.

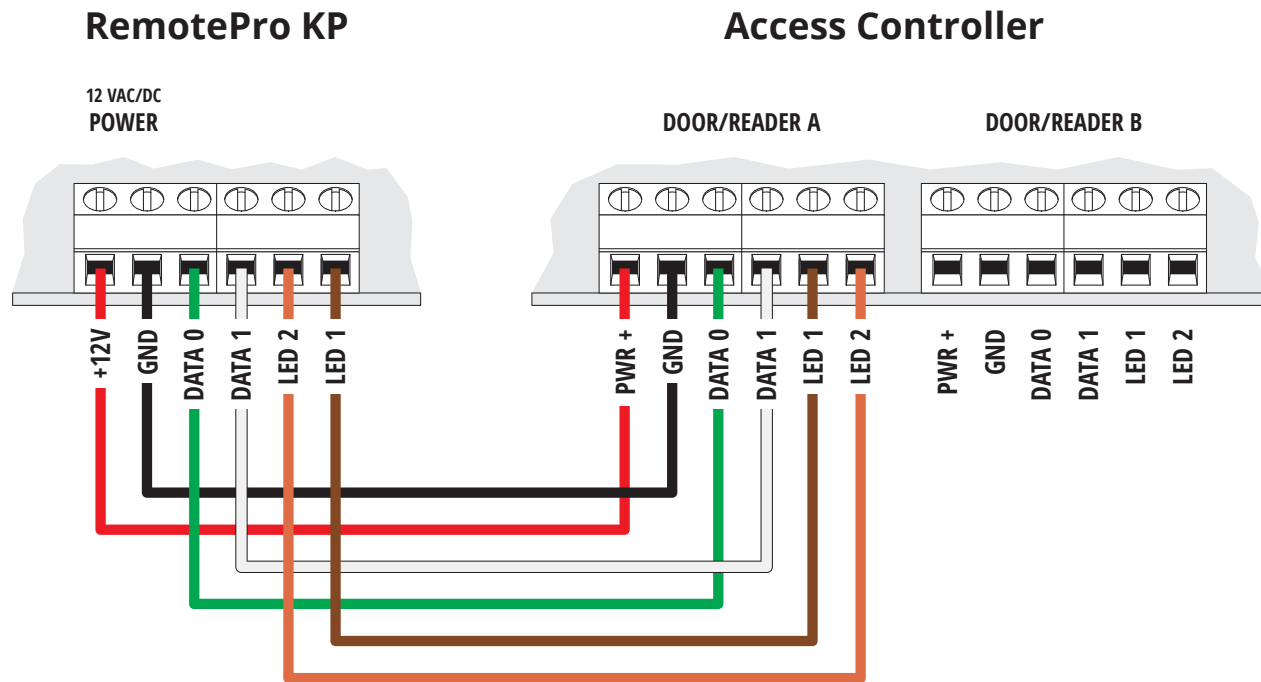
! WARNING!

AUTOMATIC GATES CAN CAUSE SERIOUS INJURY OR DEATH!

ALWAYS CHECK that the **GATE PATH IS CLEAR BEFORE OPERATING!**

REVERSING or other **SAFETY DEVICES SHOULD ALWAYS BE USED!**

4 Connect unit



Status LED Reference

- Idle (ready for a command)
- In Programming Mode
- ☀ 1x Code sent to access controller
- ☀ 3x Valid code / programming accepted
- ☀ 3x Invalid code / programming error

5 Set Facility Code

(Must be a valid code for the access controller being used. Default is 255.)

1 2 5 1 → 1 → ? ? ? → #

Master Code
(can be changed)

Facility Code
(3 digits, 000 to 255)

NOTE: Green arrow indicates "good" tone on keypad.

6 Set access code length

(Access codes may be either 4 or 5 digits in length. Default is 5.)

1 2 5 1 → 3 → ? → #

Master Code
(can be changed)

Code Length
(4 or 5)

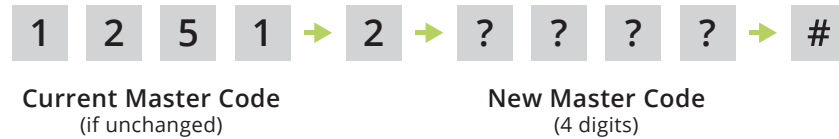


INSTALLATION COMPLETE!

Your system is ready to use.

Additional Programming

A Change Master Code (For added security, changing the default Master Code is recommended.)

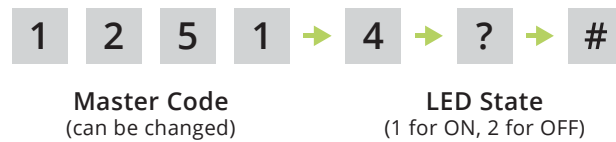


B Advanced Programming

NOTE: Green arrow indicates "good" tone on keypad.

Toggle LED 2 ON or OFF

(Default is 1 for ON)



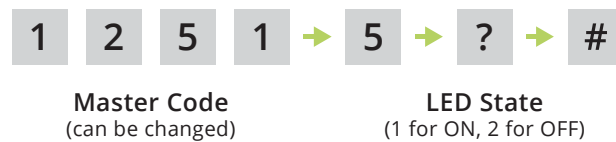
Set Programming Timeout

(Unit will exit Programming Mode if no key presses for this period of time. Default is 10.)



Toggle LED Nightlights ON or OFF

(Default is 1 for ON)



Set Acknowledgment Timeout

(Unit will wait for this period of time to receive response from access controller. If no response is received, unit will sound "error" tone and status LED will flash. Default is 2.)



