

ASCENT K¹



25-K1

CELLULAR ACCESS CONTROL SYSTEM WITH KEYPAD

FEATURES

- NEW** • 4G LTE cellular
- NEW** • Ascent Connect integration
- NEW** • Location-Based Access Control (LBAC)
 - Control up to 2 gates/doors
 - Cloud-based access control management
 - Up to 10,000 app, text, and voice users
 - Up to 1,000 keypad codes
 - Push and/or email event and status notifications
 - 7-day timers
 - Holiday timers and special-event timers
 - Temporary users with permission limits
 - Audit trail with detailed reports
 - "Do Not Disturb" mode



powered by  **SUMMIT CONTROL**

GET THE SUMMIT CONTROL APP!



VERSATILE & CONVENIENT

Control your gate or door from anywhere using a computer, tablet, or phone.

KEYPAD CODES MADE EASY

When you need simple access control, keypad codes are the perfect option. Manage codes easily with Summit Control.

LOCATION-BASED ACCESS CONTROL

Users must be within a defined distance from the unit to open the gate or door.

NO-HASSLE INSTALLATION

Trenching and lengthy wire runs are a thing of the past. Connect as few as four wires and you're done! We've removed the hassle.



SPECIFICATIONS

PHYSICAL

Dimensions 6.85"(H) x 7.44"(W) x 5.25"(D)
 Shipping Weight 6 lbs.

ELECTRICAL

Input 12–24 VAC/DC
 12-VDC transformer included (PS-12DC1)
 Current Draw less than 190 mA @ 12 VDC
 less than 160 mA @ 24 VDC
 with relay latched and lighted keypad on

RELAY

Contact Rating 10 A @ 120 VAC / 24 VDC
 Max Switching Voltage 250 VAC / 30 VDC
 Max Switching Current 15 A
 Max Switching Power 240 W / 2,770 VA





COMMUNICATION

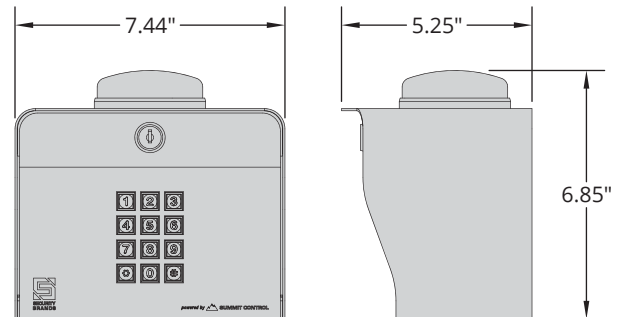
Cellular Network 4G LTE

ENVIRONMENTAL

Operating Temperature -15 to 158 °F

CONTROL IT YOUR WAY

-  APP
-  TEXT
-  VOICE
-  KEYPAD*



▲ Actual voltage should be no more than 10% beyond specified range.
 Use of the included 12-VDC transformer is recommended.

GET STARTED NOW!

PAY JUST ONE BILL!†

Unit includes a GSM SIM card ready for activation.

We do ALL the legwork for you!



SUMMIT CONTROL

it's that simple!



visit summitcontrol.com

* Because keypad codes are managed via Summit Control, they cannot be added or deleted without an active service plan.

† Monthly bill covers the cost of the SIM card, actions gateway, servers, maintenance, development, app, and tech support.

 **SECURITY BRANDS INC™**
 your *partner* in access control

1675 W Yale Ave
 Englewood, CO 80110

Tel: (800) 541-5677
 Fax: (303) 799-9756

securitybrandsinc.com