

RTE 300

S-RTE-300

WIRELESS PUSH-BUTTON REQUEST TO EXIT

FEATURES

- 300-MHz output
- Wireless range up to 100 feet
- Lockout key switch
- Durable IP65-rated push button
- Polycarbonate housing and faceplate



GOES WHERE YOU GO

No wires mean freedom—this unit can be located and mounted anywhere you need it.

PLUG AND PLAY

The onboard 300-MHz transmitter works with the receiver you already have. Set the DIP switches and you're ready to go.

SIMPLY DURABLE

A simple design paired with durable components make this unit outlast the rest.

QUICK & EASY LOCKOUT

It's as simple as turning a key. If you're taking a trip and will be away for awhile, disable the unit with the convenient lockout key switch.

SPECIFICATIONS

PHYSICAL

Dimensions 5-3/4"(H) x 4-7/8"(W) x 4-3/4"(D)
 Shipping Weight 3 lbs.

ELECTRICAL

Input 9 VDC *

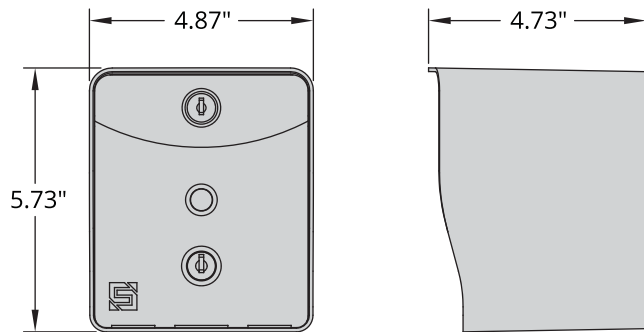
TRANSMITTER

Frequency 300 MHz

ENVIRONMENTAL

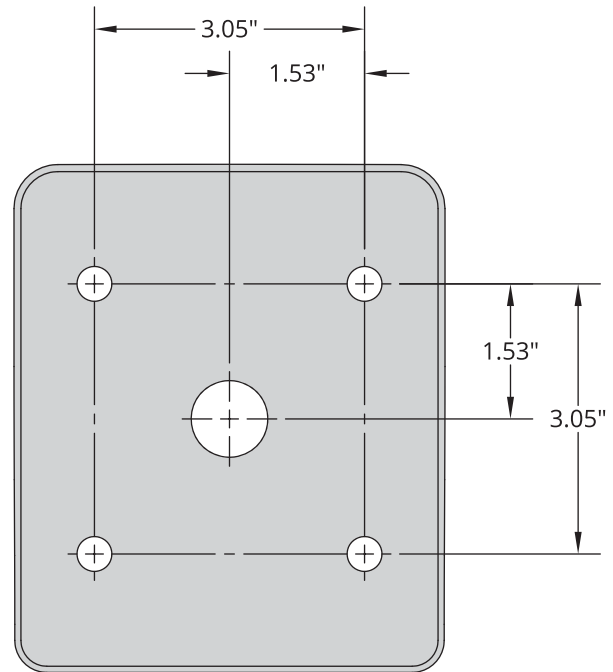
Operating Temperature -15 to 175 °F

* Includes 9-V alkaline battery.



MOUNTING

The pass through and mounting hole pattern on the back of the unit are shown below with dimensions.



Hole Sizes

Wiring pass through **0.86"**
 Mounting holes (x4) **0.38"**

Unit includes mounting hardware.

RELATED PRODUCTS



Advantage DKE
 500-Code Economy Keypad
26-500



Ascent K1
 Cellular Keypad
25-K1



Ridge 2.0
 Battery-Powered Wireless Keypad
S-14-500