

TIMERS



S-T12, S-T24, S-T110

7-DAY DIGITAL QUARTZ TIMERS

FEATURES

- 7-day, 24-hour programming
- 8 on/off programs
- 56 on/off settings
- Manual override
- Lithium battery backup
- High-contrast LCD screen
- LED power indicator
- Micro-CMOS quartz clock
- Durable protective cover (not shown)



MAKE YOUR LIFE EASY

These are by far the easiest 7-day timers to connect, program, and use.

ENDLESS POSSIBILITIES

Connect to any number of devices including: gates, doors, pumps, animal feeders, or any other device requiring scheduled switching.

VISUAL FEEDBACK

See exactly what you're doing as you do it on the LCD screen with intuitive readout.

VARIED POWER OPTIONS

No matter the power source, we have a timer for you, whether you're running 12 VDC, 24 VAC/DC, or 110 VAC.

SPECIFICATIONS

PHYSICAL

Dimensions 2.44"(H) x 2.44"(W) x 1.30"(D)
 Shipping Weight 1 lb.

ELECTRICAL

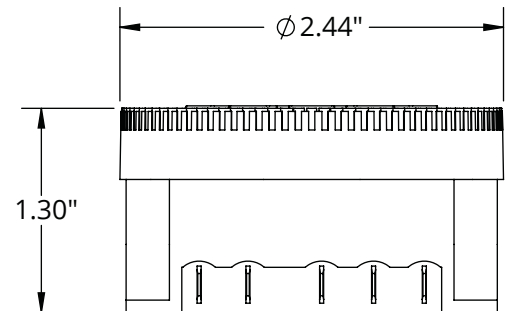
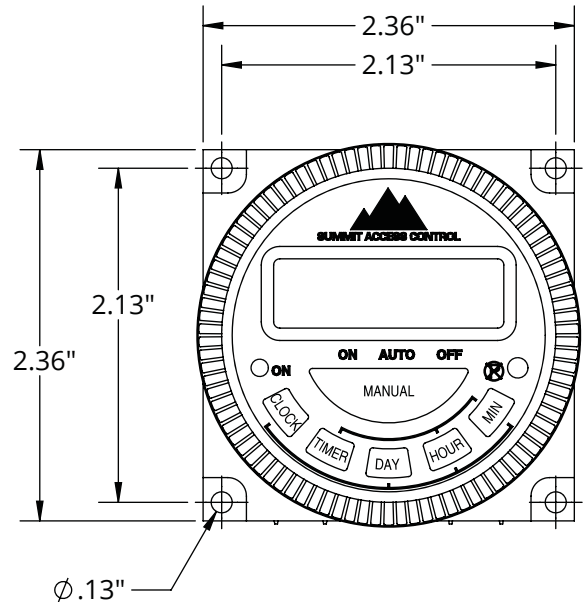
Input **S-T12** 12 VDC
S-T24 24 VAC/DC
S-T110 110 VAC
 Power Consumption 3 VA

RELAY

Contact Rating 16 A @ 30 V / 7 A @ 24 V
DC Load / AC Load
 Max Switching Voltage 150 V / 220 V
 Max Carrying Current 16 A / 7 A

ENVIRONMENTAL

Operating Temperature 15 to 130 °F



Protective cover removed for clarity



S-T12
12-VDC TIMER



S-T24
24-VAC/DC TIMER



S-T110
110-VAC TIMER



Security Brands, Inc.
 1675 W Yale Ave
 Englewood, CO 80110

Phone: (303) 799-9757
 Toll-Free: (800) 541-5677
 Fax: (303) 799-9756

securitybrandsinc.com