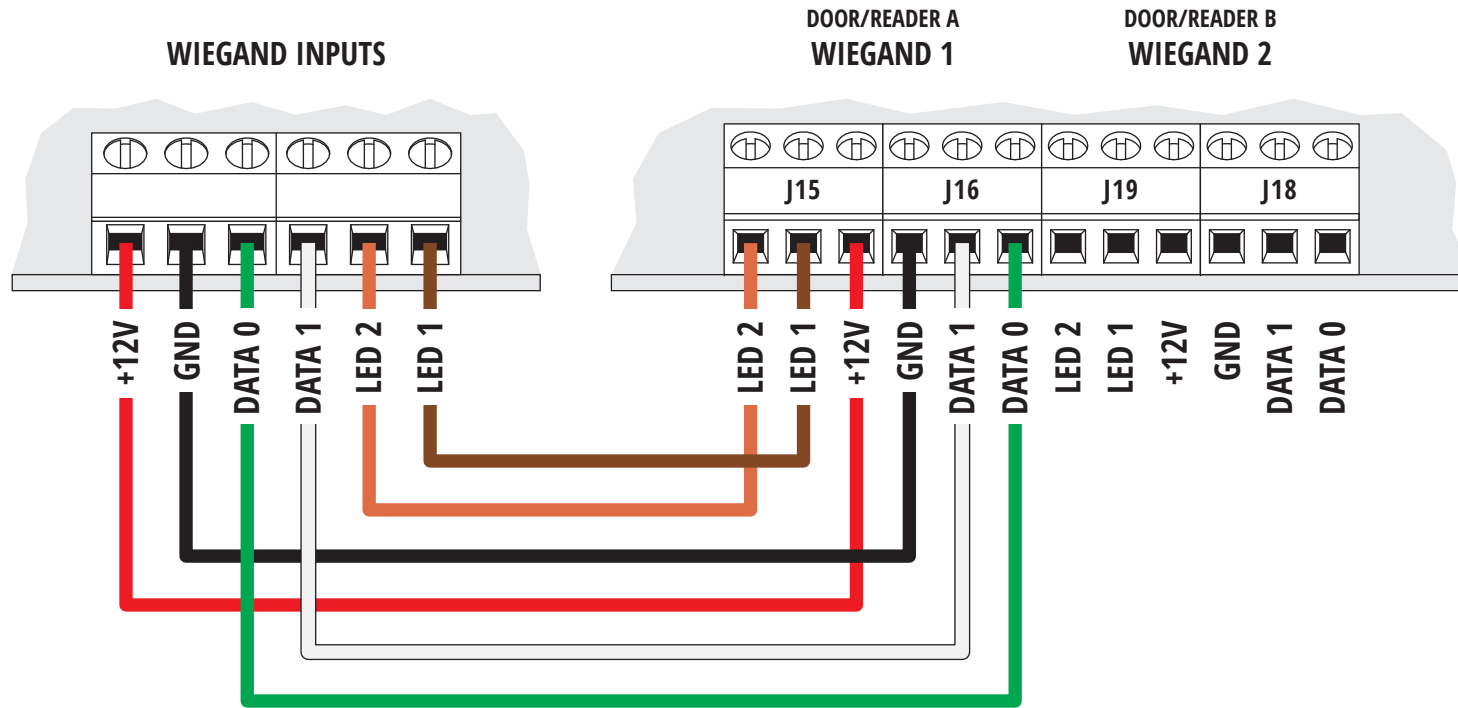


### Wiegand Device

### Ascent



### CAUTION!

Disconnect power to Ascent unit before connecting Wiegand devices.

**Failure to disconnect power can damage unit!**



### IMPORTANT!

Wiegand inputs are **NOT AVAILABLE** on all Ascent models.

Please ensure your model is Wiegand compatible before proceeding.

### NEED HELP

Call (844) 259-8265

Email [support@summitcontrol.com](mailto:support@summitcontrol.com)

We are available **Mon-Fri / 8am-5pm Central**



**SECURITY BRANDS INC**  
your *partner* in access control