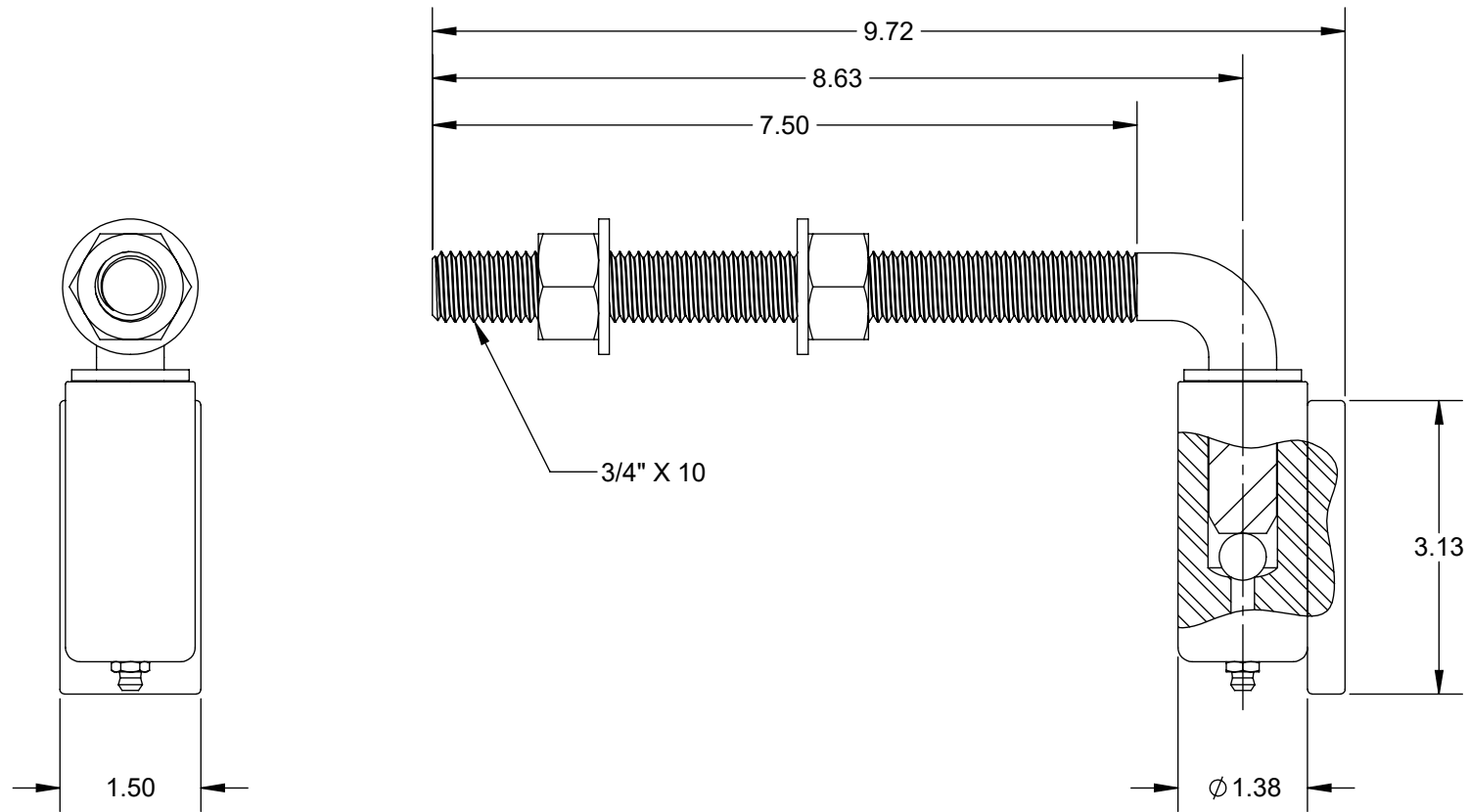


REVISION			
REV	DESCRIPTION	DATE	APPROVED
A	INITIAL RELEASE	10/21/2024	JW



UNLESS OTHERWISE SPECIFIED:		NAME	DATE
DIMENSIONS ARE IN INCHES	DRAWN	JW	10/21/2024
TOLERANCES: .XX ±.03 .XXX ±.010	CHECKED	CB	10/21/2024
	ENGINEERING	JW	10/21/2024
DIMENSIONS AND TOLERANCES PER ASME Y14.5M-2004	Q.A.	-	
MATERIAL STEEL	<b>PROPRIETARY AND CONFIDENTIAL</b>		
FINISH SEE NOTES	THE INFORMATION CONTAINED IN THIS DRAWING IS THE SOLE PROPERTY OF SECURITY BRANDS, INC. AND/OR ITS SUBSIDIARIES. REPRODUCTION IN PART OR IN WHOLE WITHOUT THE WRITTEN PERMISSION OF SECURITY BRANDS, INC. IS PROHIBITED.		
DO NOT SCALE DRAWING			



**SECURITY BRANDS INC**

PO BOX 743996, DALLAS, TX 75374 (USA)

TITLE  
**7-INCH BARREL HINGE WITH  
J-BOLT, 3/4" X 8-5/8"**

SIZE	DWG. NO.	REV
<b>A</b>	<b>K-GBHA700B</b>	<b>A</b>

SCALE: 1:2 SHEET 1 OF 1

NOTES:

1. FINISH:  
BALL BEARING, SHAFT, GREASE NIPPLE: ZINC PLATE  
OTHER COMPONENTS: POWDER COAT BLACK
2. HINGE IS DESIGNED FOR WELDING.