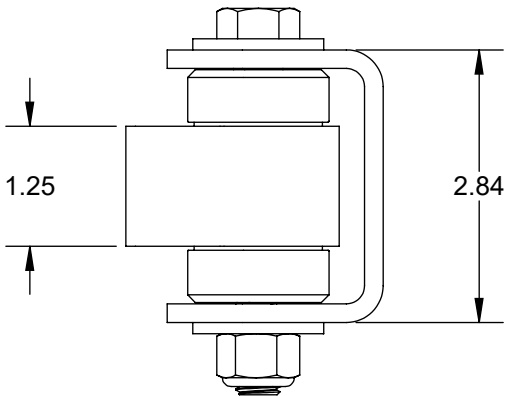
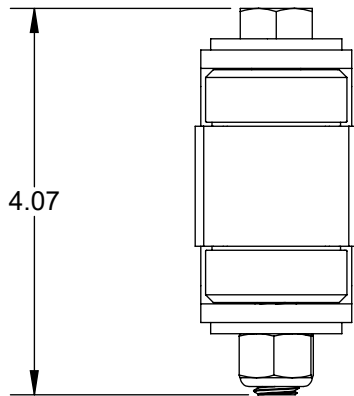
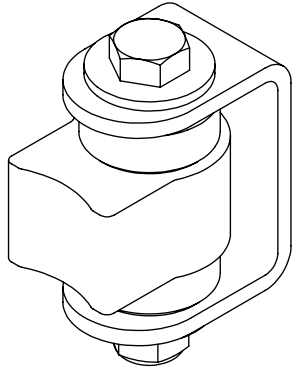
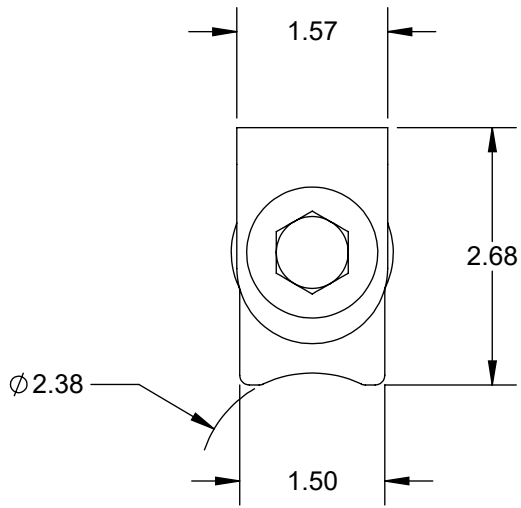


REVISION			
REV	DESCRIPTION	DATE	APPROVED
A	INITIAL RELEASE	12/1/2021	JW



UNLESS OTHERWISE SPECIFIED:

DIMENSIONS ARE IN INCHES
TOLERANCES:
FRACTIONAL: $\pm 1/16$
ANGULAR: MACH $\pm 1^\circ$ BEND $\pm 3^\circ$
.XX $\pm .01$.XXX $\pm .005$

DIMENSIONS AND TOLERANCES
PER ASME Y14.5M-2004

MATERIAL
STEEL

FINISH
ZINC, BLACK

DO NOT SCALE DRAWING

	NAME	DATE
DRAWN	JW	12/1/2021
CHECKED	CB	12/1/2021
ENGINEERING	JW	12/1/2021
Q.A.	JC	12/1/2021

PROPRIETARY AND CONFIDENTIAL

THE INFORMATION CONTAINED IN THIS
DRAWING IS THE SOLE PROPERTY OF
SECURITY BRANDS, INC. AND/OR ITS
SUBSIDIARIES. REPRODUCTION IN PART
OR IN WHOLE WITHOUT THE WRITTEN
PERMISSION OF SECURITY BRANDS, INC.
IS PROHIBITED.



SECURITY BRANDS INC

PO BOX 743996, DALLAS, TX 75374 (USA)

TITLE

SUPER SMOOTH HINGE

SIZE	DWG. NO.	REV
A	K-HDSSH3B	A

SCALE: 1:2

SHEET 1 OF 1