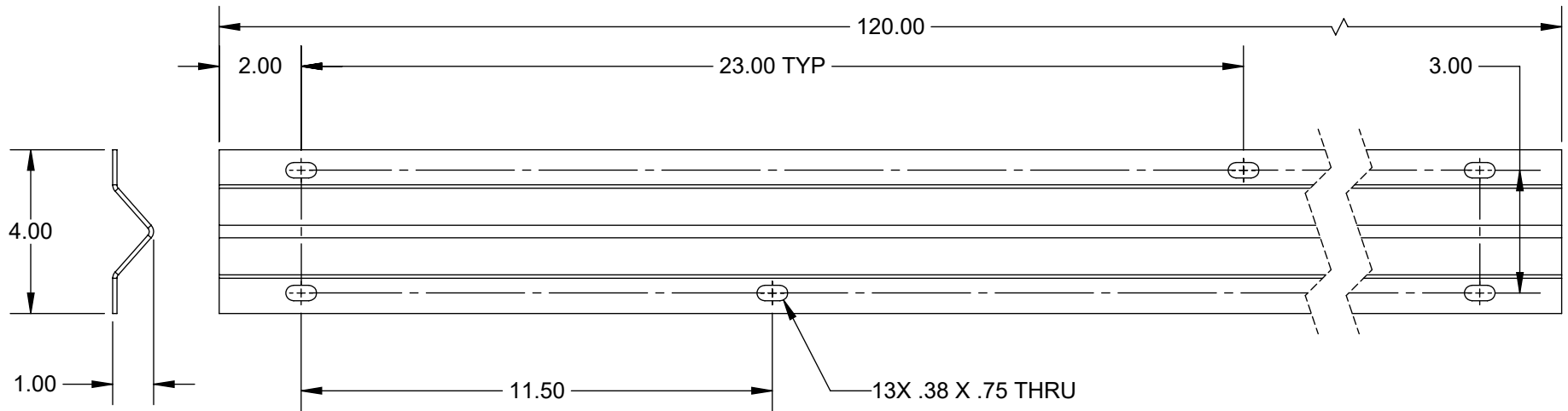



REVISION			
REV	DESCRIPTION	DATE	APPROVED
A	INITIAL RELEASE	5/20/2024	JW



UNLESS OTHERWISE SPECIFIED: DIMENSIONS ARE IN INCHES TOLERANCES: FRACTIONAL $\pm 1/16$ ANGULAR: MACH $\pm 1^\circ$ BEND $\pm 3^\circ$.XX $\pm .01$.XXX $\pm .005$		NAME	DATE	 SECURITY BRANDS INC 2210 EXECUTIVE DR, GARLAND, TX 75041		
	DRAWN	JW	5/20/2024			
	CHECKED	CB	5/20/2024			
	ENGINEERING	JW	5/20/2024			
	DIMENSIONS AND TOLERANCES PER ASME Y14.5M-2004	Q.A.	JC	5/20/2024	TITLE	
MATERIAL STEEL, .150 (9 GA)	PROPRIETARY AND CONFIDENTIAL THE INFORMATION CONTAINED IN THIS DRAWING IS THE SOLE PROPERTY OF SECURITY BRANDS, INC. AND/OR ITS SUBSIDIARIES. REPRODUCTION IN PART OR IN WHOLE WITHOUT THE WRITTEN PERMISSION OF SECURITY BRANDS, INC. IS PROHIBITED.			V TRACK, 10 FT		
FINISH GALVANIZED				SIZE	MODEL NO.	REV
DO NOT SCALE DRAWING				A	K-VT10	A
		SCALE: 1:4	SHEET 1 OF 1			