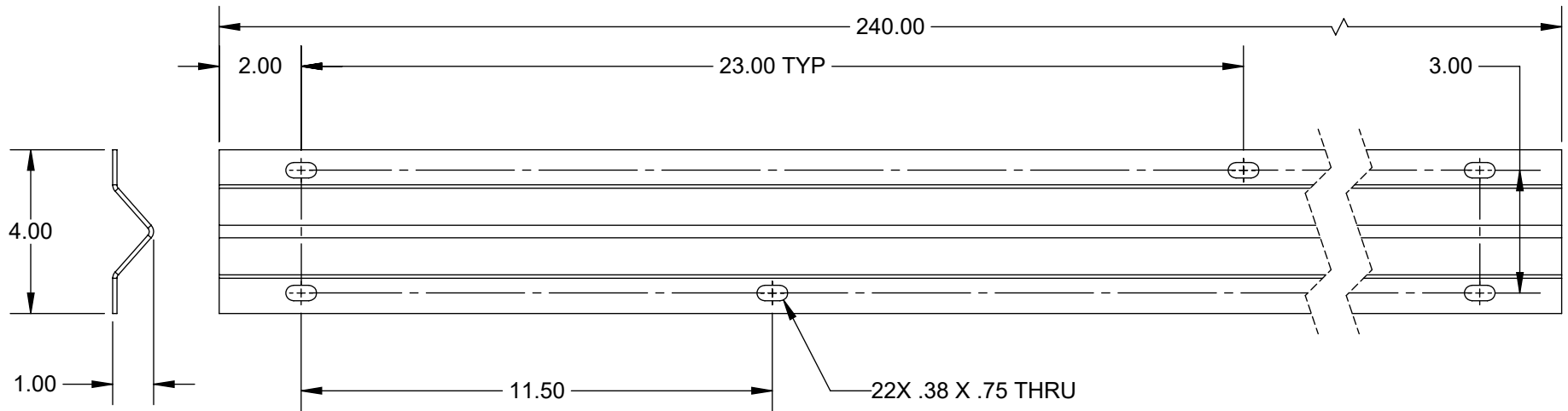



REVISION			
REV	DESCRIPTION	DATE	APPROVED
A	INITIAL RELEASE	5/20/2024	JW



UNLESS OTHERWISE SPECIFIED:  DIMENSIONS ARE IN INCHES TOLERANCES: FRACTIONAL $\pm 1/16$ ANGULAR: MACH $\pm 1^\circ$ BEND $\pm 3^\circ$ .XX $\pm .01$ .XXX $\pm .005$		NAME	DATE	 <b>SECURITY BRANDS INC</b> 2210 EXECUTIVE DR, GARLAND, TX 75041		
	DRAWN	JW	5/20/2024			
	CHECKED	CB	5/20/2024			
	ENGINEERING	JW	5/20/2024			
DIMENSIONS AND TOLERANCES PER ASME Y14.5M-2004	Q.A.	JC	5/20/2024	TITLE <b>V TRACK, 20 FT</b>		
MATERIAL STEEL, .150 (9 GA)	<b>PROPRIETARY AND CONFIDENTIAL</b>  THE INFORMATION CONTAINED IN THIS DRAWING IS THE SOLE PROPERTY OF SECURITY BRANDS, INC. AND/OR ITS SUBSIDIARIES. REPRODUCTION IN PART OR IN WHOLE WITHOUT THE WRITTEN PERMISSION OF SECURITY BRANDS, INC. IS PROHIBITED.			SIZE	MODEL NO.	REV
FINISH GALVANIZED				<b>A</b>	<b>K-VT20</b>	<b>A</b>
DO NOT SCALE DRAWING				SCALE: 1:4		SHEET 1 OF 1