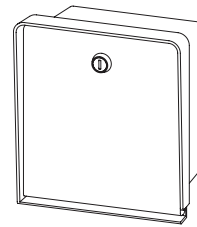




### IN THE BOX

Make sure you have everything shown here.



Custom Enclosure



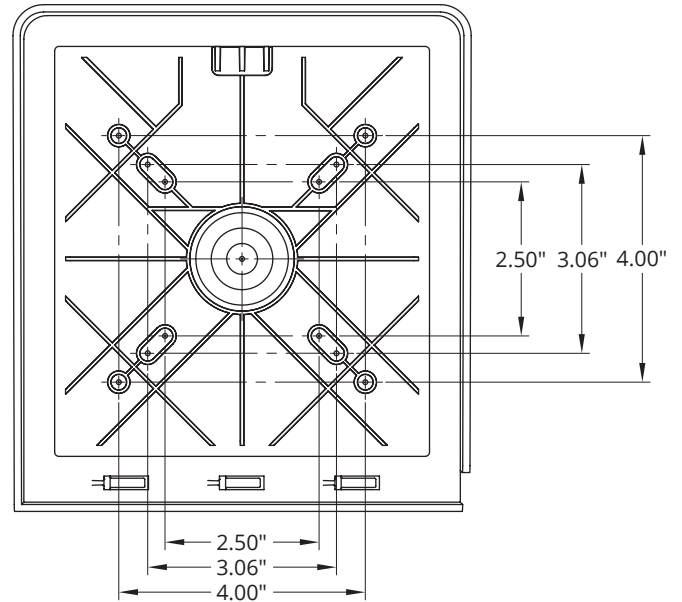
Key

### MOUNTING AND PREPARATION

The custom enclosure includes pilot holes set at three sizes of mounting hole patterns (2 1/2", 3 1/16", 4") to attach perfectly to your particular pedestal using 1/4-inch bolts.

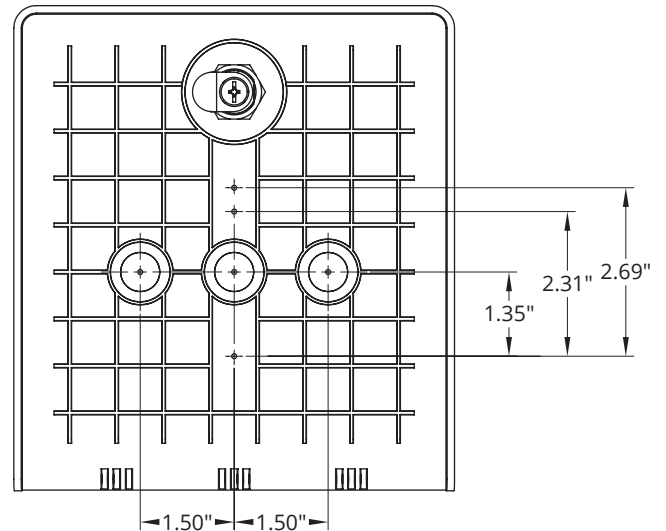
It also features guides for multiple sizes of passthrough holes (1/2", 1", 1 1/2").

**NOTE:** If recessing enclosure, the rough-in dimensions are 6-13/16" (W) x 6-1/4" (H) with a minimum depth of 3-1/2".



### DEVICE MOUNTING

The faceplate is designed for mounting one or more devices and includes pilot holes for mounting popular proximity card readers as well as three guides for 5/8-inch passthrough holes spaced at 1 1/2 inches apart.



### Two-Year Limited Warranty

Visit [securitybrandsinc.com/warranty/](https://securitybrandsinc.com/warranty/) for details



NEED  
HELP

call  
(972) 474-6390  
or email  
[techsupport@securitybrandsinc.com](mailto:techsupport@securitybrandsinc.com)



**SECURITY BRANDS INC**™