



## GENERAL INFO

This Wiegand Extender will extend the range of your Wiegand devices up to 500 feet.

Simply install this Wiegand Extender in series between the Wiegand controller and reader, and you are done.

## INSTALLATION

1. Carefully remove unit from poly bag.
2. Gently remove screws from enclosure cover, and set cover and screws aside.

3. Feed wires from controller through cable gland, and connect to wire terminals on circuit board labeled **From Control Unit** as shown in **Figure 1**.
4. Feed wires from Wiegand device through cable gland, and connect wires to wire terminals on circuit board labeled **To Device** as shown in **Figure 1**.
5. Hand tighten cable gland.
6. Replace cover and secure with screws.

**NOTE: 14 to 22 AWG wire is recommended for all wire connections.**

**NOTE: No additional power is required.**

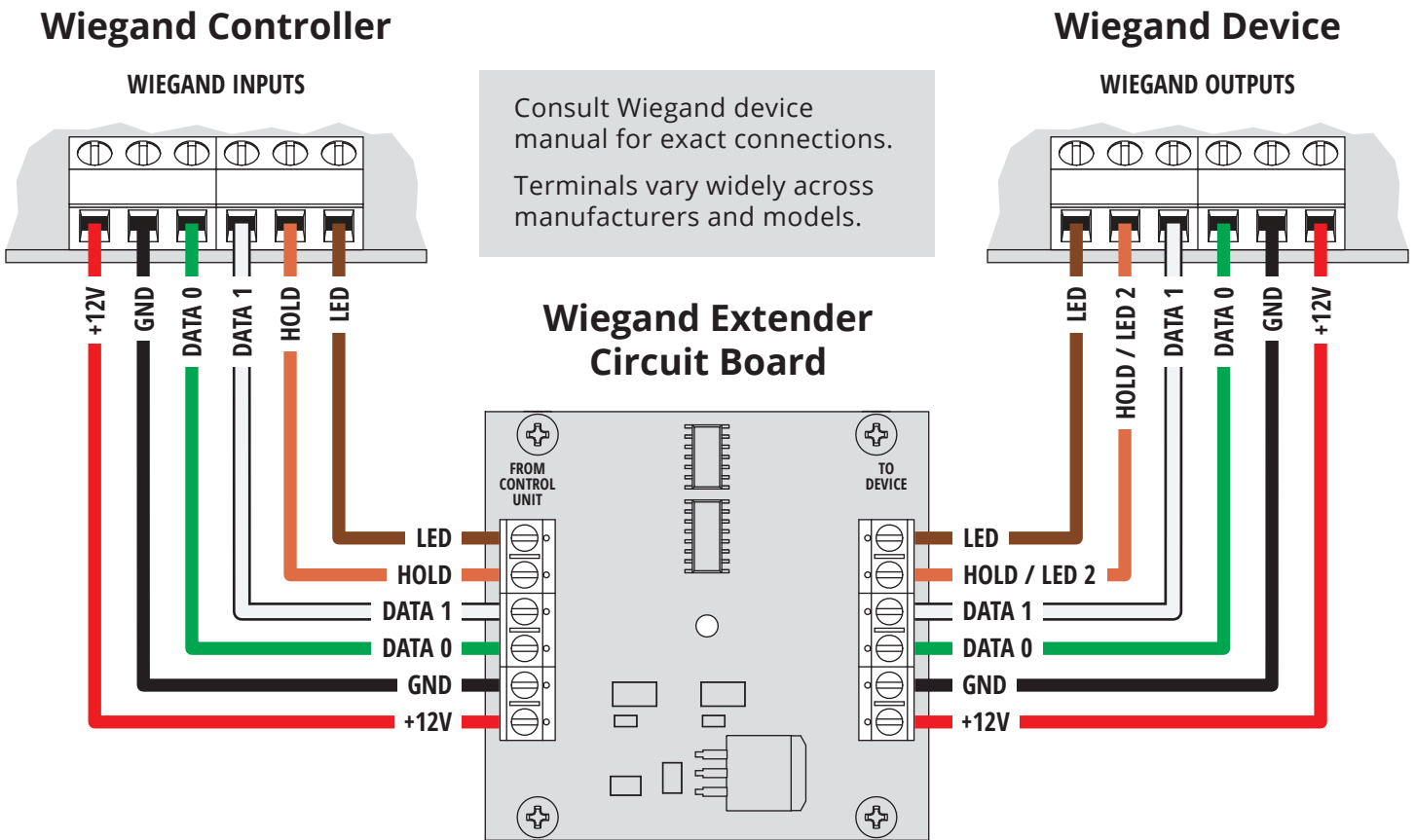


Figure 1: Wiring Diagram

**NEED HELP** ? call (972) 474-6390 or email [techsupport@securitybrandsinc.com](mailto:techsupport@securitybrandsinc.com)

**Two-Year Limited Warranty**  
 Visit [securitybrandsinc.com/warranty/](http://securitybrandsinc.com/warranty/) for details

**SECURITY BRANDS INC**<sup>TM</sup>  
 your *partner* in access control