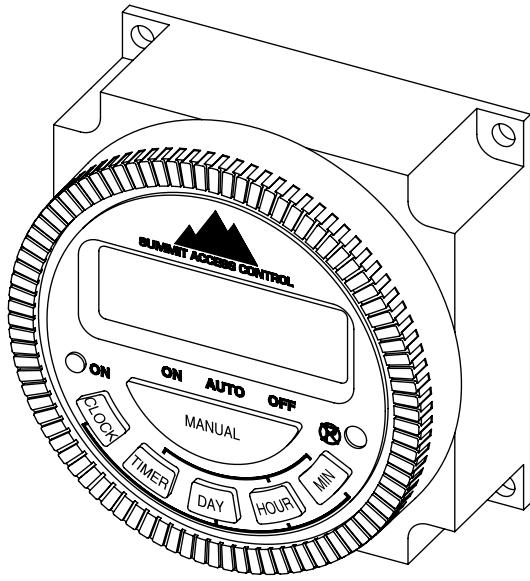




SUMMIT 7-DAY TIMER INSTRUCTIONS



1	Mo	Tu	We	Th	Fr	Sa	Su
2	Mo						
3		Tu					
4			We				
5				Th			
6					Fr		
7						Sa	
8							Su
9	Mo	Tu	We	Th	Fr		
10						Sa	Su
11	Mo	Tu	We	Th	Fr	Sa	
12	Mo	Tu	We				
13				Th	Fr	Sa	
14	Mo		We		Fr		
15		Tu		Th		Sa	

Figure 1: Program Options

GENERAL INFO

The Summit line of timers features the following models:

- S-T12 12 Volt DC Summit Digital Timer
- S-T24 24 Volt AC/DC Summit Digital Timer
- S-T110 110 Volt AC Summit Digital Timer

Because input voltage is model-dependent, please verify the model purchased before proceeding. The model number can be found on the rear of the plastic housing.

Timers allow storage of up to 17 on/off events per day as well as 15 program options of different day combinations to allow for maximum flexibility (See Figure 1).

NOTE: Program options shown on timer display are ordered as shown in Figure 1 but are not numbered.

Timers come equipped with a form "C" relay capable of 16A @ 30VDC.

Timers feature an internal battery for backup power in the event of a power outage.

DIMENSIONS IN INCHES

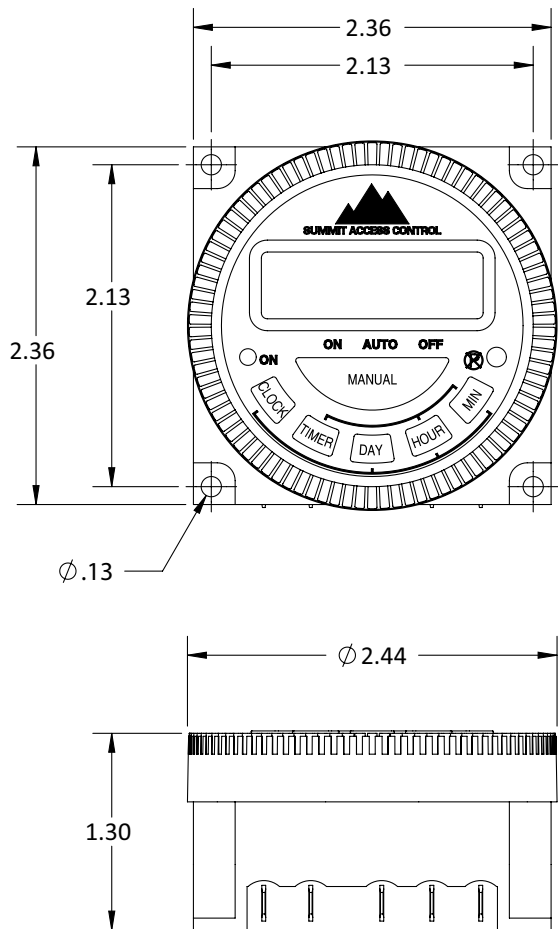


Figure 2: 7-Day Timer

2 Year Limited Warranty

Visit SecurityBrandsInc.com/warranty for details



SECURITY BRANDS INC™

1675 West Yale Ave
Englewood, CO 80110

(303) 799-9757 Telephone
SecurityBrandsInc.com



SUMMIT 7-DAY TIMER INSTRUCTIONS

BUTTONS/INDICATORS

CLOCK: pressed and held to allow adjustment of current day and time with day and time buttons

TIMER: to set up and review programmed events

DAY: adjusts day of week

HOUR: adjusts hour

MIN: adjusts minutes

MANUAL: to select between **ON/AUTO/OFF** modes (active mode indicated by bar on LCD)

Modes:

ON: relay is active

AUTO: timer will follow user-specified programs

OFF: relay inactive; no programs will be followed

ON: relay indicator (LED on when relay is active and off when inactive)

P : resets timer settings

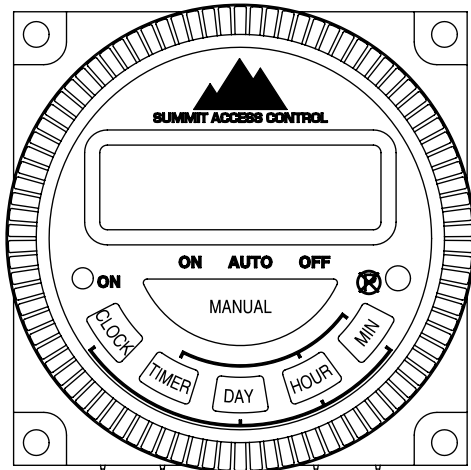


Figure 3: Front Panel

TIMER OPERATION

SETTING TIME AND DATE

Press and hold **CLOCK**, then use the **DAY**, **HOUR**, and **MIN** buttons to set time and date.

PROGRAMMING EVENT 1

1. Press **TIMER**. **1^{ON} --:--** will appear on LCD screen unless a time is already stored in memory.
2. Press **DAY** until desired daily program option is displayed on LCD screen (See **Figure 1**).
3. Press **HOUR** and **MIN** to set desired ON time.
4. Press **TIMER** button again. **1^{OFF} --:--** will appear on LCD Screen unless a time is already stored in memory.
5. Set desired OFF time as before.

NOTE: If an ON time is set, a corresponding OFF time must also be set.

NOTE: Timer will exit programming mode automatically after 20 seconds of inactivity.

PROGRAMMING EVENTS 2-17

Repeat steps listed for programming event 1.

EXITING PROGRAMMING MODE

Once all events are programmed, press **CLOCK** to exit programming mode.

ACTIVATING TIMER FOR AUTOMATIC USE

Press **MANUAL** button until indicator bar on LCD screen is displayed above **AUTO**.

WIRE CONNECTIONS

NOTE: Use 1/4" female spade connectors for your wire connections.

1 = Power Positive + (S-T12 = 12VDC, S-T24 = 24VDC/AC, S-T110 = 110VAC hot)

2 = Power Negative - (S-T12 = 12VDC ground, S-T24 = 24VDC/AC ground, S-T110 = 110VAC neutral)

3 = Timer Relay COM (Common)

4 = Timer Relay NC (Normally Closed)

5 = Timer Relay NO (Normally Open)

Refer to **Figure 4**.

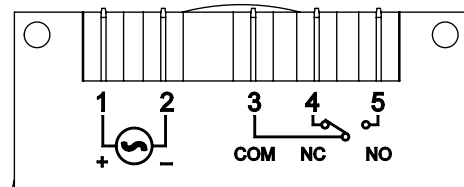


Figure 4: Wire Connections (rear of unit)



SECURITY BRANDS INC™

1675 West Yale Ave
Englewood, CO 80110

(303) 799-9757 Telephone
SecurityBrandsInc.com