



**1** Carefully unpack box and make sure you have all items shown below. (Screwdriver not shown)



Ascent Unit



12-V AC/DC Adapter  
(PS-12DC1)



Key



Carriage Bolt  
(4x)



Hex Nut  
(4x)

## IMPORTANT!

Ascent **WILL NOT WORK** until the activation process is **COMPLETE!**

Follow the **Activation Guide** or call **Summit Control at (844) 259-8265** to activate your unit.

## STOP!

This is a cellular accessory for a gate/door, so an uninterrupted cellular connection **CANNOT BE GUARANTEED.**

An emergency egress or primary entry mechanism **SHOULD ALWAYS BE USED** (transmitter, fire box, mechanical release). Consult with your dealer, distributor, and/or system designer for more information.

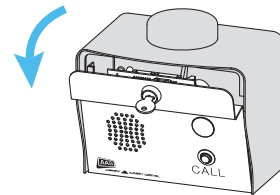
## WARNING!

**AUTOMATIC GATES CAN CAUSE SERIOUS INJURY OR DEATH!**

**ALWAYS CHECK** that the **GATE PATH IS CLEAR BEFORE OPERATING!**

Reversing or other safety devices **SHOULD ALWAYS BE USED!**

**2** Unlock and open front panel of unit for wiring and setup.

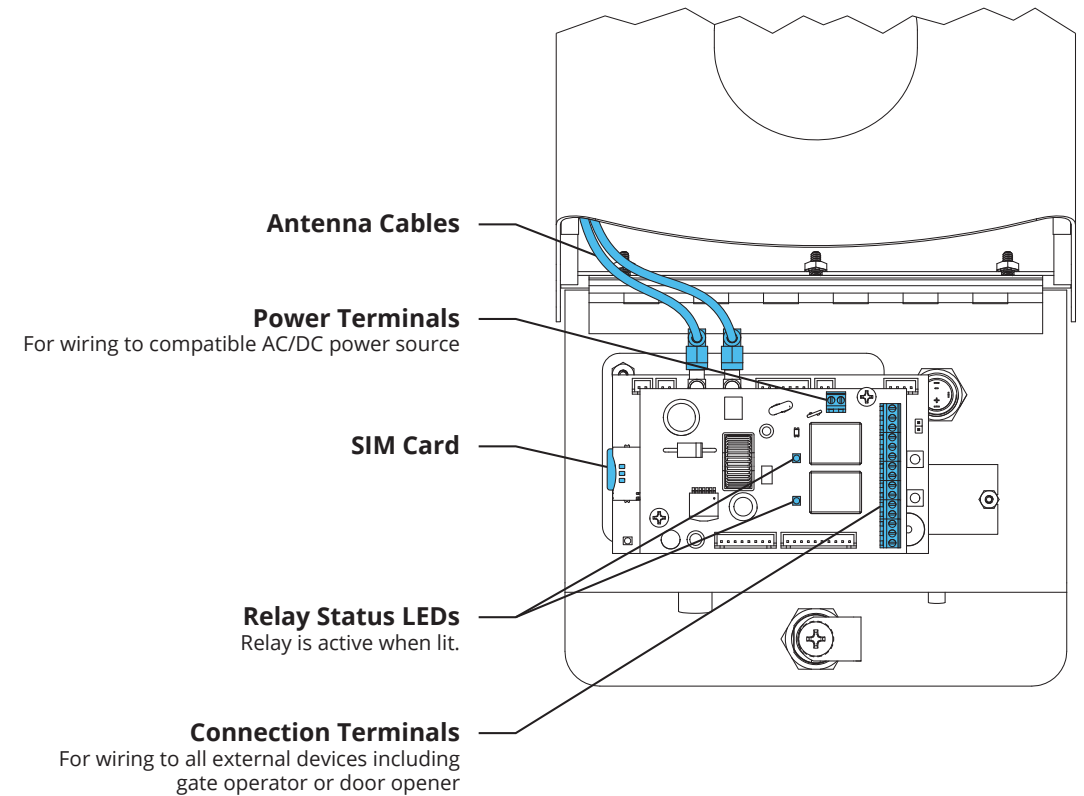


Continued on next page...

## What's what?

Important components labeled

Unit shown with front panel fully open. Internal wiring not shown for clarity.



## CAUTION!

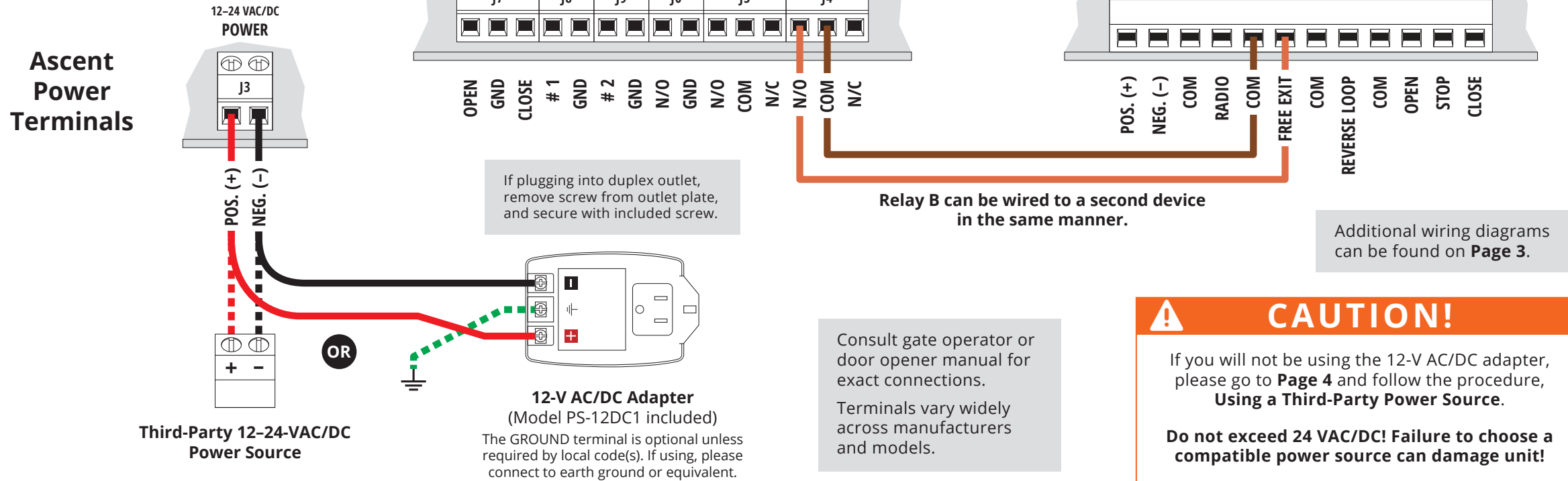
Please use **all four screws** when mounting unit to pedestal. Leave "hockey puck" antenna in place, even if using extension. Seal any holes or gaps created in unit enclosure.

**Failure to follow instructions can damage unit!**

### 3 Connect wires

Feed wires through back of unit and connect as shown using included screwdriver.

Excessive force can damage unit.



### STOP!

Before going forward, double check wiring and ensure unit has power!

For additional wiring options, see **Page 3**.

### 4 Close and lock front panel.



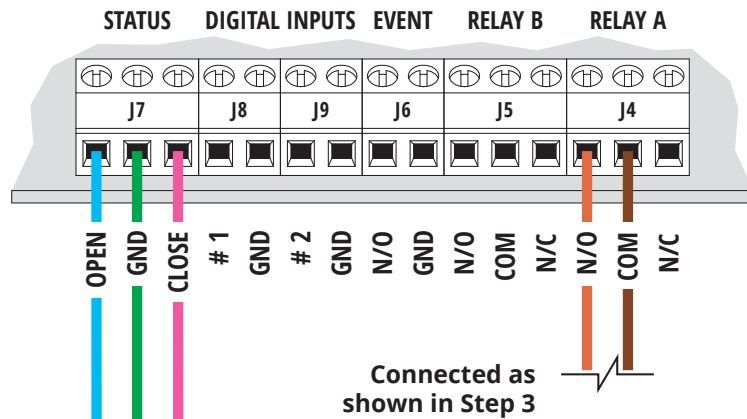
### INSTALLATION COMPLETE!

Now follow the **Activation Guide** to create an account and begin using Ascent.

## A Status Check

Wiring to enable Gate Status Check

### Ascent Connection Terminals



## CAUTION!

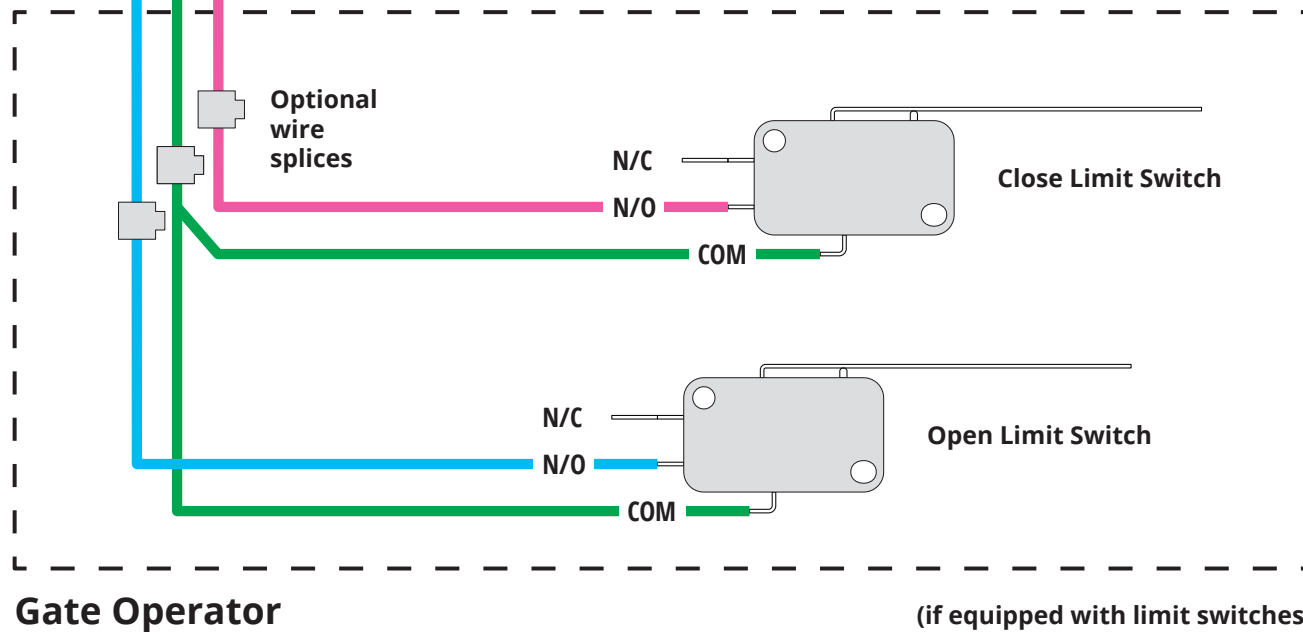
The Status Terminals are designed for low voltage (**3 V or less**). Check the voltage on your status wires before connecting. If it is above 3 V, you will need to contact **Technical Support**.

Exceeding 3 V can damage unit!

## IMPORTANT!

Gate Status Check **WILL NOT WORK** with a decoder!

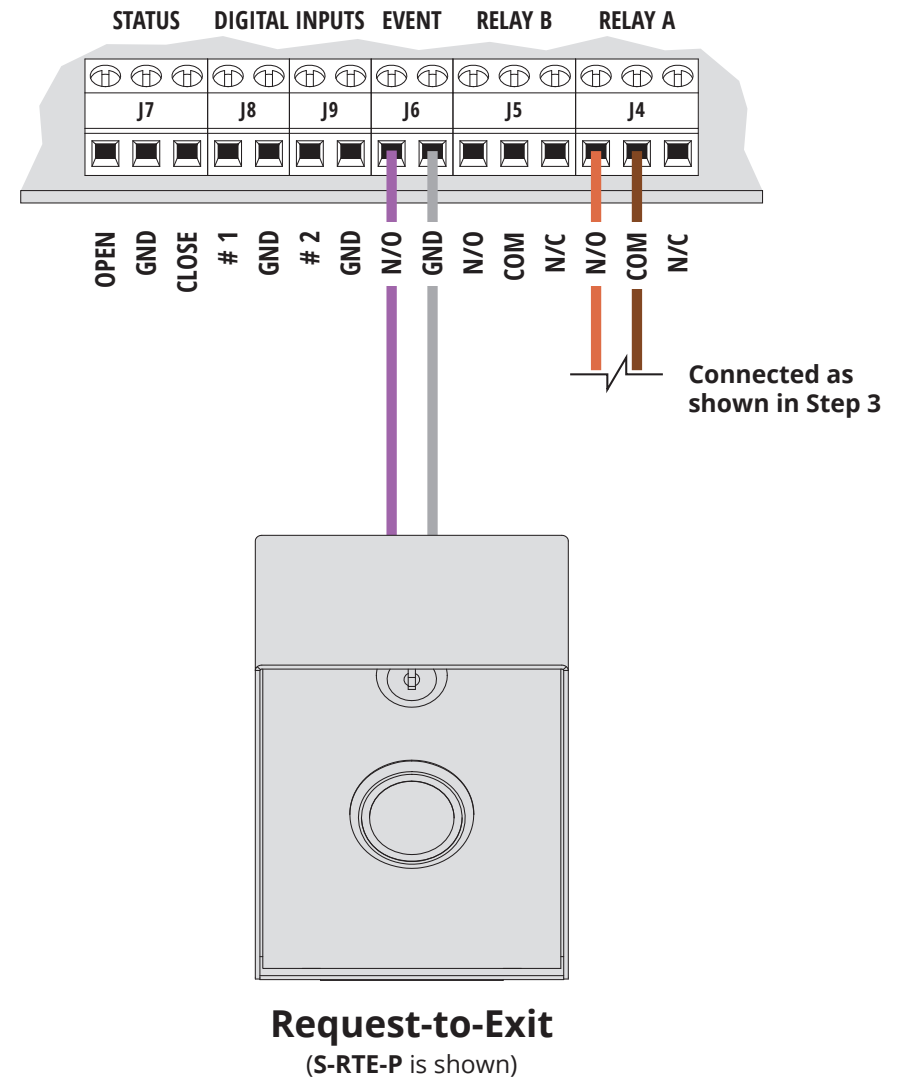
**YOU MUST USE A DRY CONTACT!**



## B Event Input

Wiring for accessories such as a request-to-exit device

### Ascent Connection Terminals



# ASCENT T<sup>1</sup> QUICK START GUIDE

Model 16-T1

## Using a Third-Party Power Source (Optional)

**IMPORTANT!**

If you would like to use a third-party power source, such as solar, verify that it conforms to the following specs:

<b>Input</b>	12–24 VAC/DC no more than 10% beyond this range
<b>Current Draw</b>	less than 260 mA @ 12 VDC less than 160 mA @ 24 VDC

**3a** Connect wires to unit as shown in Step 3.

**3b** Connect wires to your power source, making sure you connect positive to positive and negative to negative.

**CAUTION!**

Double check that you've wired from positive on Ascent to positive on your power source and negative on Ascent to negative on your power source.

**Reverse polarity can damage unit!**

**IMPORTANT!**

We recommend mounting Ascent on a gooseneck pedestal using included hardware.

If using alternate mounting, the **4G LTE Antenna Extension Kit (p/n 16-ANTX-1)** should be purchased and installed.

**Failure to do so may result in NO SIGNAL!**



## NEED HELP

Call (844) 259-8265  
Email [support@summitcontrol.com](mailto:support@summitcontrol.com)  
We are available **Mon–Fri / 8am–5pm Central**



**SECURITY BRANDS INC**  
your *partner* in access control