

ADVANTAGE DK



ADV-1000 SERIES

1,000-CODE KEYPAD

FEATURES

- NEW** • Lighted keypad
- Control up to 2 gates/doors
- 1,000 four-digit code capacity
- "3 strikes, you're out" security
- Personal master code
- Latch code
- Sleep code
- Variable relay time
- Event input
- Audible-tone and LED feedback
- Non-volatile memory



 **FLAGSHIP** PRODUCT

ADVANTAGE FAMILY

SOLID KEYPADS FOR OVER 30 YEARS

NO-NONSENSE OPERATION

If you're looking for a keypad that is easy to program and easy to use, look no further!

THE ORIGINAL KEYPAD COMBO

Need a keypad that's also an intercom or one with a Knox lock cutout? This keypad has always been more than just a keypad.

STURDY & DURABLE

Crafted exclusively from stainless and powder-coated steel, this unit is built to last!

PROGRAMMING YOU KNOW

Quick, simple, and familiar, the basic programming steps on the keypad are identical to those on all of our keypads.



SPECIFICATIONS

PHYSICAL

Dimensions	5.22"(H) x 5.22"(W) x 5.10"(D)
Shipping Weight	5 lbs.

ELECTRICAL

Input	12–24 VAC/DC
Current Draw	less than 40 mA @ 12 VDC less than 22 mA @ 24 VDC standby with keypad lit
	less than 67 mA @ 12 VDC less than 35 mA @ 24 VDC with relay latched

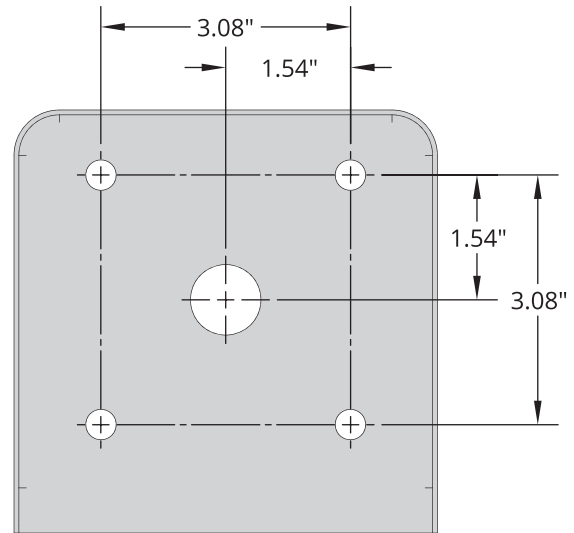
RELAY

Contact Rating	1 A @ 24 V / .5 A @ 120 V DC Load / AC Load
Max Switching Voltage	150 V / 220 V
Max Carrying Current	2 A / 2 A
Max Switching Power	28 W / 60 VA
Variable Relay Time	1–999 seconds

ENVIRONMENTAL

Operating Temperature	-15 to 175 °F
-----------------------	---------------

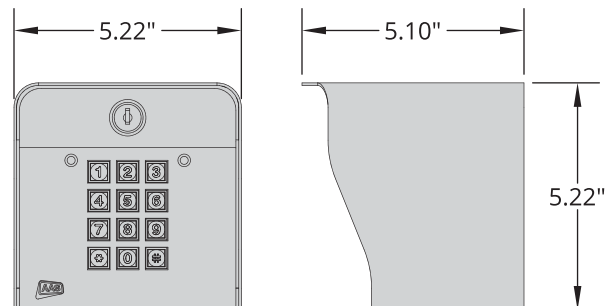
MOUNTING



Hole Sizes

Wiring pass through	0.88"
Mounting holes (x4)	0.38"

Unit includes mounting hardware.



RELATED PRODUCTS



Advantage DK
1000-Code Keypad w/ Intercom
ADV-1000i



Advantage DK
1000-Code Keypad w/ Knox Cutout
ADV-1000-knox



Ascent X1
Cellular Telephone Entry w/ Keypad
16-X1



Ascent K1
Cellular Keypad
25-K1



Ridge 2.0
Wireless Keypad & Transceiver
S-14-500



1675 W Yale Ave
Englewood, CO 80110

securitybrandsinc.com

Tel: (800) 541-5677
Fax: (303) 799-9756