

ADVANTAGE DKLPE



19-100E

100-CODE LOW-POWER ECONOMY KEYPAD

FEATURES

- Low current draw
- Control 1 gate/door
- 100 four-digit code capacity
- Personal master code
- Latch code
- Variable relay time
- Alarm shunt
- Audible-tone feedback
- Non-volatile memory



ADVANTAGE

SOLID ACCESS CONTROL FOR OVER 35 YEARS

NO-NONSENSE OPERATION

If you're looking for a keypad that is easy to program and easy to use, look no further!

GOES WHERE YOU GO

With such a low current draw, this unit can be located in the remotest of locations, as long as sunlight is sufficient.

STURDY AND DURABLE

Crafted exclusively from stainless and powder-coated steel, this unit is built to last!

PROGRAMMING YOU KNOW

Quick, simple, and familiar, the basic programming steps on the keypad are identical to those on all of our keypads.



SPECIFICATIONS

PHYSICAL

Dimensions	5.41"(H) x 4.07"(W) x 3.38"(D)
Shipping Weight	4 lbs.

ELECTRICAL

Input	12 VDC
Current Draw	less than 1.1 mA @ 12 VDC standby
	less than 6.0 mA @ 12 VDC with relay latched

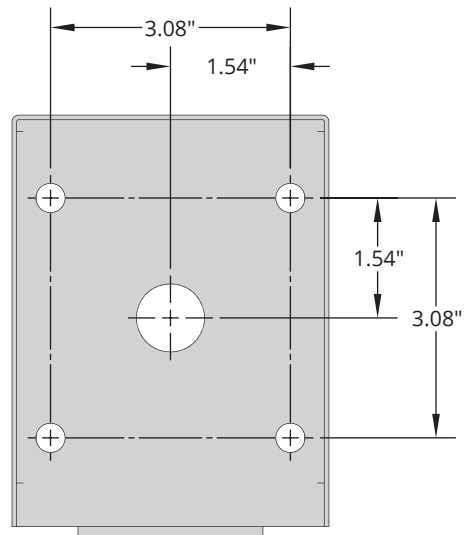
RELAY

Contact Rating	2 A @ 30 V / .5 A @ 120 V DC Load / AC Load
Max Switching Voltage	125 V / 125 V
Max Carrying Current	2 A / 2 A
Max Switching Power	24 W / 60 VA
Variable Relay Time	1-9 seconds

ENVIRONMENTAL

Operating Temperature	-15 to 175 °F
-----------------------	---------------

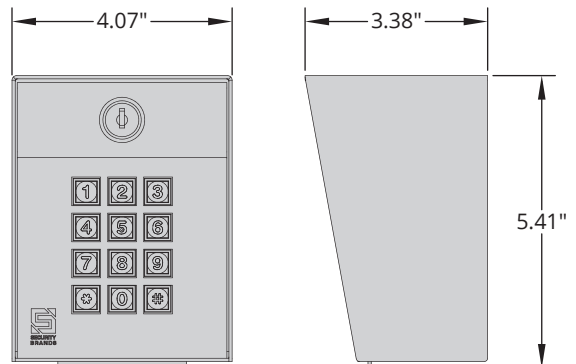
MOUNTING



Hole Sizes

Wiring pass through	0.88"
Mounting holes (x4)	0.38"

Unit includes mounting hardware.



RELATED PRODUCTS



Advantage DKLP
100-Code Single-Gang Keypad
19-100SG



Advantage DKLP
100-Code Keypad w/ Intercom
19-100I



Advantage DKE
500-Code Economy Keypad
26-500



Ascent K1
Cellular Keypad
25-K1



Ridge 2.0
433-MHz Keypad and Transceiver
14-500

For more information, visit us online:
securitybrandsinc.com

 **SECURITY BRANDS INC**TM
your *partner* in access control

☎ (972) 474-6390

✉ sales@securitybrandsinc.com

📍 2151 East Glen Blvd
Mesquite, TX 75181