

ADVANTAGE DKLP



19-100E

100-CODE LOW-POWER KEYPAD

FEATURES

- Latch code
- Low current draw
- 100 four-digit code capacity
- Personal master code
- Variable relay time
- Relay shunt for alarm system
- Audible-tone feedback
- Non-volatile memory



ADVANTAGE FAMILY

SOLID KEYPADS FOR OVER 30 YEARS

NO-NONSENSE OPERATION

If you're looking for a keypad that is easy to program and easy to use, look no further!

GOES WHERE YOU GO

With such a low current draw, this unit can be located in the remotest of locations, as long as sunlight is sufficient.

STURDY & DURABLE

Crafted exclusively from stainless and powder-coated steel, this unit is built to last!

PROGRAMMING YOU KNOW

Quick, simple, and familiar, the basic programming steps on the keypad are identical to those on all of our keypads.



SPECIFICATIONS

PHYSICAL

Dimensions 5.41"(H) x 4.07"(W) x 3.38"(D)
 Shipping Weight 4 lbs.

ELECTRICAL

Input 12 VDC
 Current Draw less than 1.1 mA @ 12 VDC standby
 less than 6.0 mA @ 12 VDC with relay latched

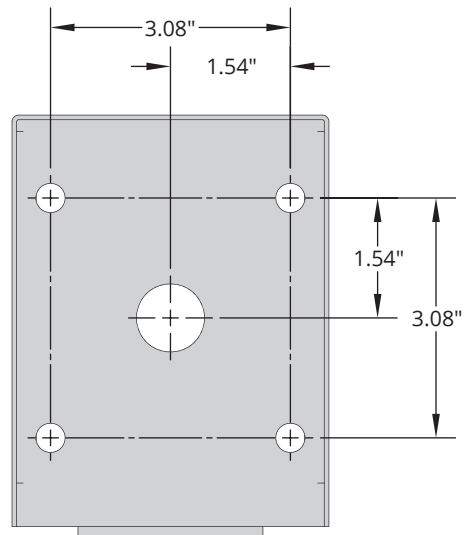
RELAY

Contact Rating 2 A @ 30 V / .5 A @ 120 V
 DC Load / AC Load
 Max Switching Voltage 125 V / 125 V
 Max Carrying Current 2 A / 2 A
 Max Switching Power 24 W / 60 VA
 Variable Relay Time 1-9 seconds

ENVIRONMENTAL

Operating Temperature -15 to 175 °F

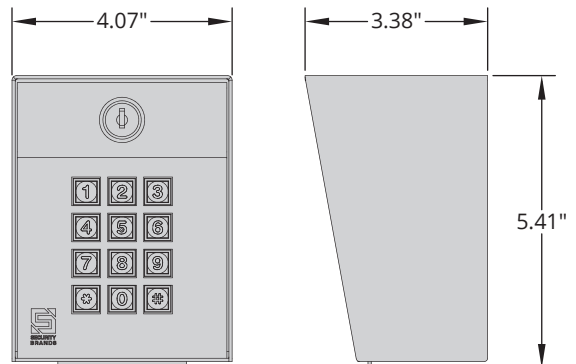
MOUNTING



Hole Sizes

Wiring pass through 0.88"
 Mounting holes (x4) 0.38"

Unit includes mounting hardware.



RELATED PRODUCTS



Advantage DKLP
 100-Code Single-Gang Keypad
19-100sg



Advantage DKLP
 100-Code Keypad w/ Intercom
19-100i



Advantage DKE
 500-Code Economy Keypad
26-500



Ascent K1
 Cellular Keypad
25-K1



Ridge 2.0
 Wireless Keypad & Transceiver
S-14-500