

CANTILEVER ROLLERS

K-CRP SERIES

ROLLERS FOR CANTILEVER SLIDE GATES

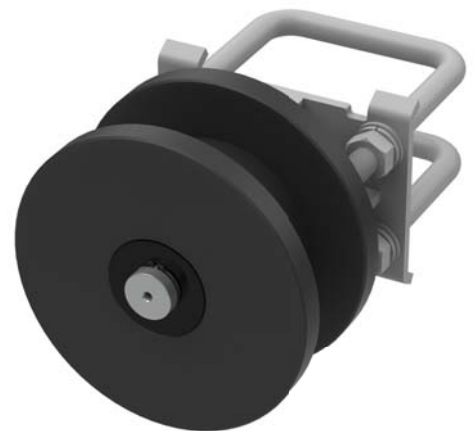
MODELS

K-CRPR6 (top)

fits 2-3/8" round gate frames and 4" round posts

K-CRPS22 (bottom)

fits 2" square gate frames and 4" square posts



FEATURES

- Time-saving magnets on bases for easy installation
- UHMW polyethylene graphite-impregnated wheels
- Long-lasting sealed roller bearings
- Zinc-plated steel axles
- Painted steel bases and mounting hardware
- Tough UV-resistant protective covers included
- Rated up to 2,000 pounds when using 4 rollers*

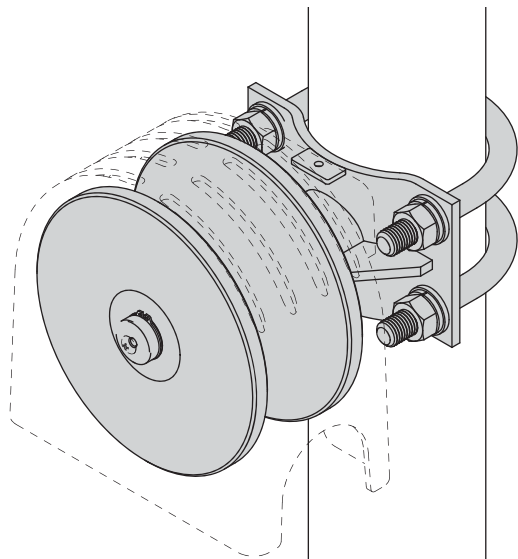
THE PERFECT FIT EVERY TIME

Whether you're building a gate with round material or square, we have the roller for you. And magnets on the bases make install easy.

SMOOTH, QUIET & LONG LASTING

Advanced materials make our wheels extra smooth and quiet, and sealed roller bearings provide long life with very little maintenance.

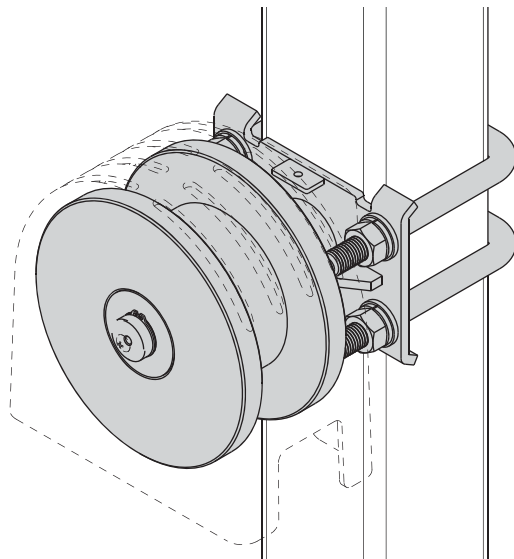
CANTILEVER ROLLERS



K-CRPR6

CANTILEVER ROLLER

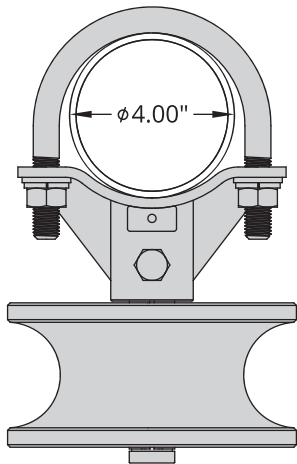
2-3/8-INCH ROUND FRAMES, 4-INCH ROUND POSTS
(COVERS & MOUNTING HARDWARE INCLUDED)



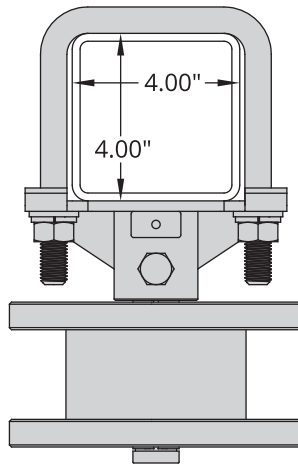
K-CRPS22

CANTILEVER ROLLER

2-INCH SQUARE FRAMES, 4-INCH SQUARE POSTS
(COVERS & MOUNTING HARDWARE INCLUDED)



TOP VIEW (INSTALLED)



TOP VIEW (INSTALLED)

MODEL	DESCRIPTION	SHIPPING WEIGHT
K-CRPR6	cantilever roller for round stock	13 lbs.
K-CRPS22	cantilever roller for square stock	13 lbs.

** For the longevity of your rollers and proper operation of your gate system, having a properly balanced gate is extremely important. Always use or consult with a professional fence fabricator when building your gate system.*



1675 W Yale Ave
Englewood, CO 80110

Tel: (800) 541-5677
Fax: (303) 799-9756

securitybrandsinc.com