

# RIDGE<sub>2.0</sub>



## S-14-500

## WIRELESS KEYPAD & TRANSCEIVER

### FEATURES

- NEW** • Lighted keypad
- 500 four-digit access-code capacity
- Latch mode
- Wireless range up to 500 feet
- Control up to 2 devices from 1 keypad
- Connect up to 20 keypads to 1 transceiver
- Personal master code
- Limited-use code (1 to 9 uses)
- "3 strikes, you're out" security
- Variable relay time
- Audible-tone feedback
- Polycarbonate construction



**RIDGE**  
**WIRELESS™**



### GOES WHERE YOU GO

No wires mean freedom—this system can be located and mounted anywhere you need it.

### FITS YOUR NEEDS

Whether it's a simple installation or a multiple-keypad, multiple-device setup, your configuration options are limitless.

### SOLAR FRIENDLY

An ultra-low current draw means it plays well with your solar gate operator.

### GO WIRELESS

Our Ridge Wireless™ technology allows two-way wireless connection, making your system more versatile and more responsive.



## SPECIFICATIONS (KEYPAD)

### ELECTRICAL

Input 9 VDC \*

### ENVIRONMENTAL

Operating Temperature -15 to 175 °F

\* Includes 9-V alkaline battery.

## SPECIFICATIONS (TRANSCEIVER)

### ELECTRICAL

Input 12–24 VAC/DC

Current Draw less than 7.9 mA @ 12 VDC  
standby

less than 11.2 mA @ 12 VDC  
with relay latched

### RELAY

Contact Rating 2 A @ 30 V / .5 A @ 120 V  
DC Load / AC Load

Max Carrying Current 2 A / 2 A

Variable Relay Time 1–999 seconds

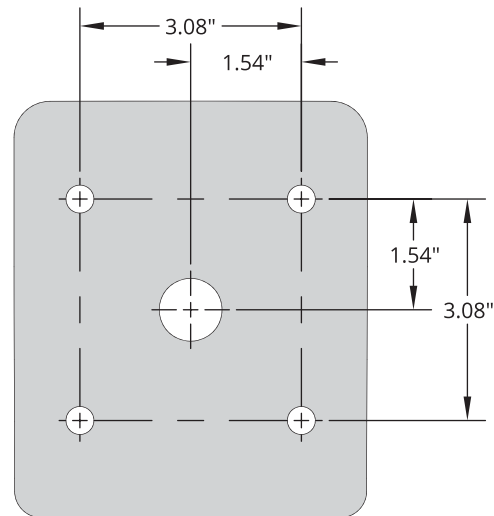
### COMMUNICATION

Radio Frequency 433 MHz

### ENVIRONMENTAL

Operating Temperature -15 to 175 °F

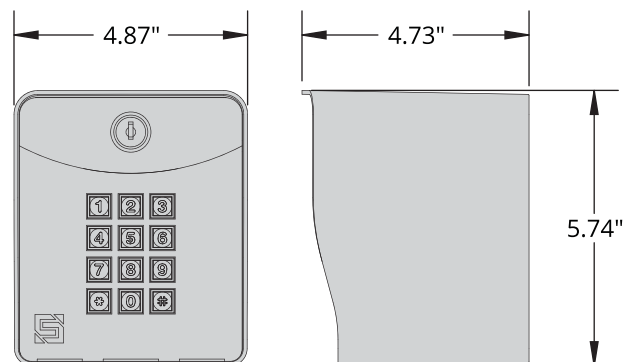
## MOUNTING



### Hole Sizes

Wiring pass through 0.88"  
Mounting holes (x4) 0.38"

Unit includes mounting hardware.



**S-14-500t**  
KEYPAD

## AVAILABLE MODELS

MODEL	DESCRIPTION	DIMENSIONS	SHIPPING WT.
S-14-500	keypad and transceiver	n/a	4 lbs.
S-14-500t	keypad only	5.74"(H) x 4.87"(W) x 4.73"(D)	3 lbs.
S-14-REC20	transceiver only	5.25"(H) x 2.75"(W) x 1.13"(D)	1 lb.