



# WIRING GUIDE

Advantage Intercom (17-300) to Aiphone LEM-1DL

## NEED HELP

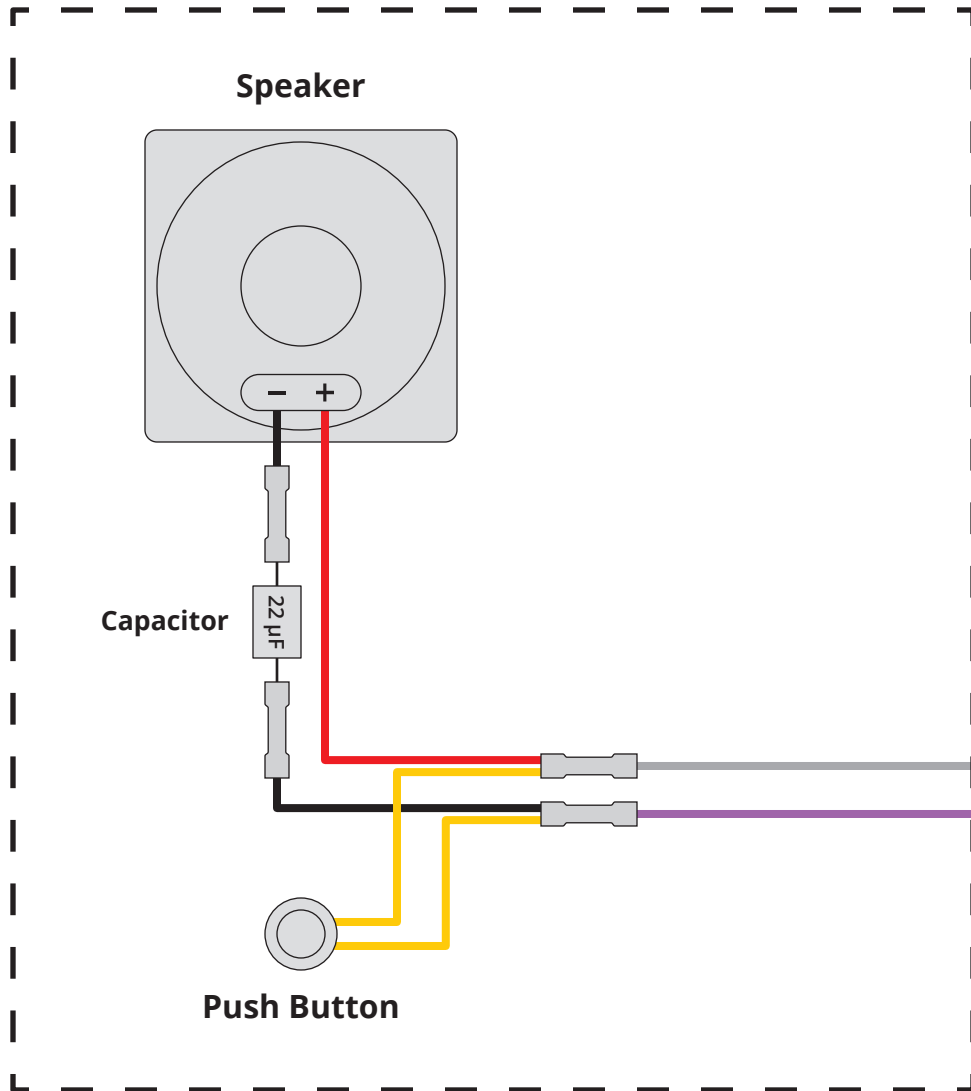
Call (844) 259-8265

Email [support@summitcontrol.com](mailto:support@summitcontrol.com)

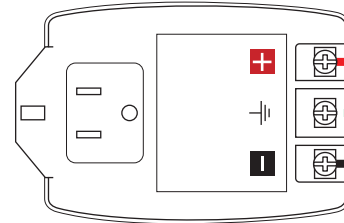
We are available **Mon-Fri / 8am-5pm Central**



### 17-300



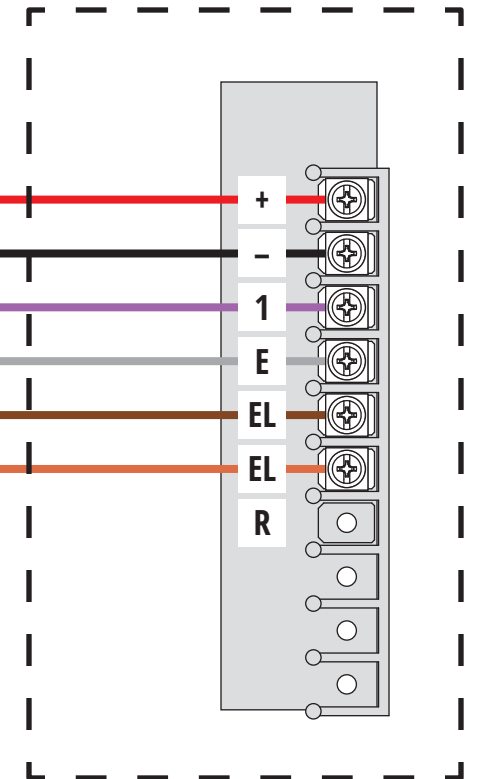
### 12-V AC/DC Adapter (Model PS-12DC1 included)



The GROUND terminal is optional unless required by local code(s). If using, please connect to earth ground or equivalent.

If plugging into duplex outlet, remove screw from outlet plate, and secure with included screw.

### Aiphone LEM-1DL



Refer to Aiphone manual for wiring requirements.

To Gate Operator  
Open Input

