



WIRING GUIDE

Advantage DK with Intercom (ADV-1000i) to Aiphone LEM-1DL

NEED HELP

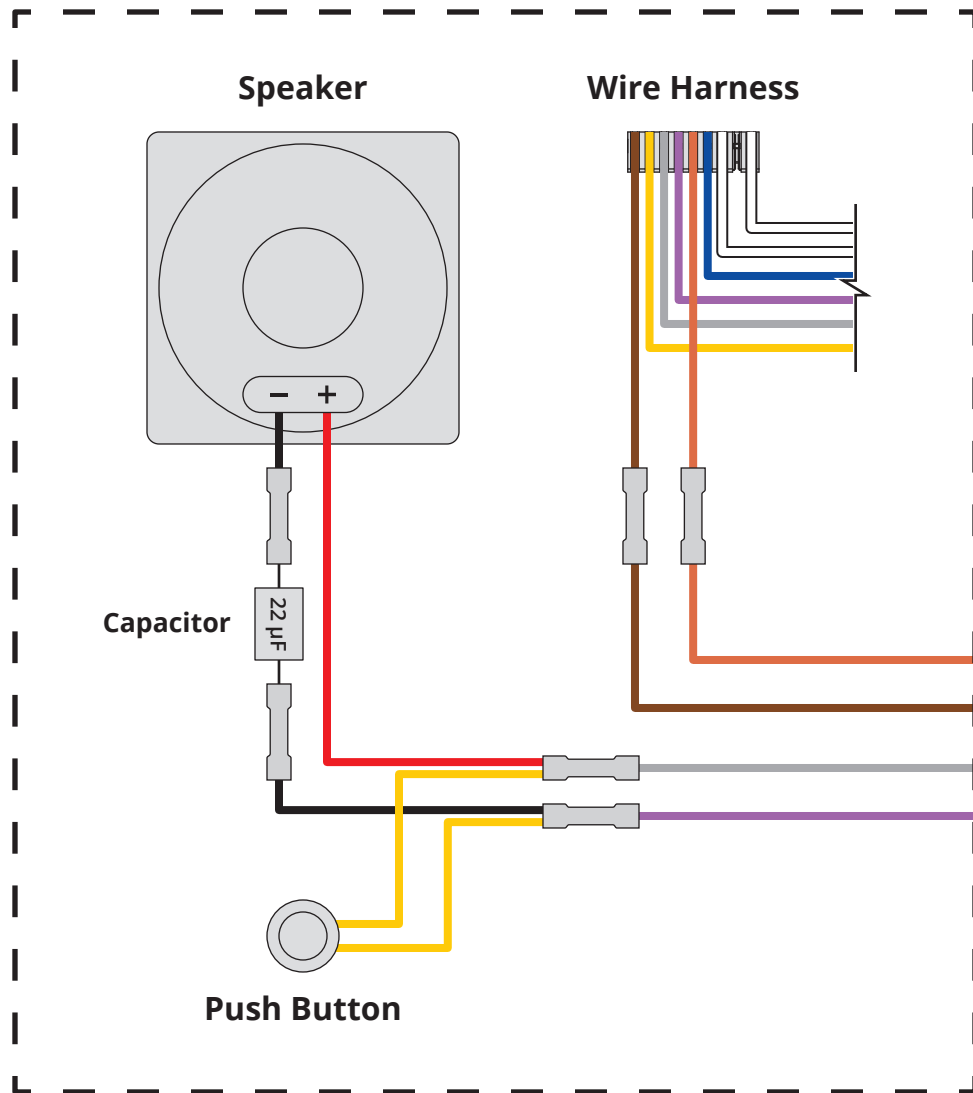
Call (844) 259-8265

Email support@summitcontrol.com

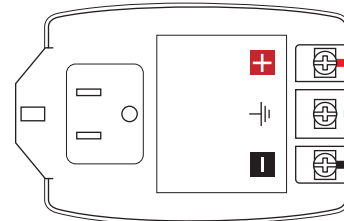
We are available **Mon-Fri / 8am-5pm Central**



ADV-1000i



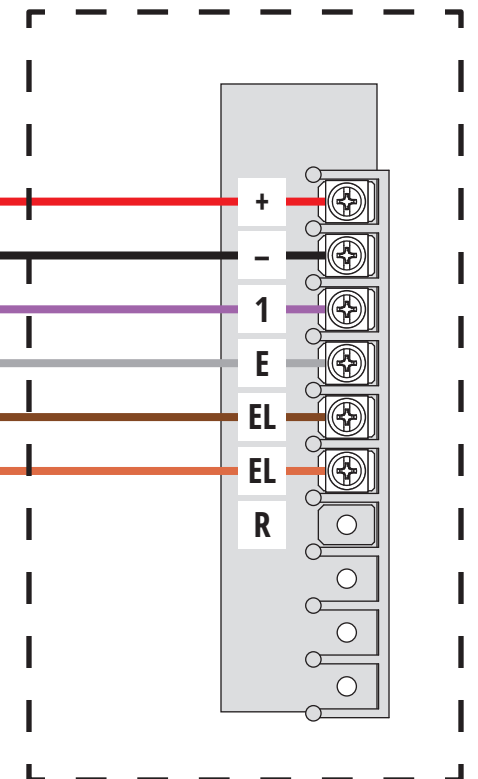
12-V AC/DC Adapter (Model PS-12DC1 included)



The GROUND terminal is optional unless required by local code(s). If using, please connect to earth ground or equivalent.

If plugging into duplex outlet, remove screw from outlet plate, and secure with included screw.

Aiphone LEM-1DL



Refer to Aiphone manual for wiring requirements.

To Gate Operator
Open Input

